

Technical Guide: PC5 Series - 208 V/230 V - 1 Phase

15.2 SEER2 R-454B Packaged Air Conditioner with Optional Field-Installed Electric Heat



BHC Group Heating & Cooling, 5005 York Drive, Norman, OK 73069

6752983-UTG-A-0526
Supersedes: Nothing

2026-05-05

Contents

About the PC5 unit.....	5
Certification.....	5
Warranty summary.....	5
Features.....	5
Model number nomenclature.....	8
Model number nomenclature example.....	8
Unit components.....	9
Unit limitations.....	10
Application limitations.....	10
Accessories.....	11
Guide specifications.....	13
Description.....	13
Unit cabinet.....	13
Refrigerant components.....	14
Controls.....	15
Physical data.....	16
Cooling performance data.....	17
Sound performance data.....	19
Unit dimensions and access locations.....	19
Weights and dimensions.....	20
Unit clearances.....	20
Electrical data for 208/230-1-60 single source power.....	21
Electrical data for 208-1-60 multi source power.....	22
Electrical data for 230-1-60 multi source power.....	23
Electric heat performance data for 208/230-1-60.....	23
Single-point wiring kit.....	24
Electric heat minimum supply air data.....	25
Indoor blower specifications.....	25
Airflow performance data for side duct application.....	26
Additional static resistance data.....	27
Bottom duct dimensions.....	28
Rear duct dimensions.....	28
Typical applications.....	29
Third-party trademarks.....	30

About the PC5 unit

These packaged cooling and heating air conditioners are designed for outdoor installation. Only utility and duct connections are required at the point of installation.

Due to continuous product improvement, specifications are subject to change without notice. **This document is only for distribution use - it is not to be used at point of retail sale.**

Visit us on the web at www.simplygettingthejobdone.com. Additional rating information can be found at www.ahridirectory.org.

Certification



Assembled at a facility with an ISO 9001:2015-certified Quality Management System

Warranty summary

Extended 10-year limited parts and compressor warranty. The extended warranty requires online registration within 90 days of purchase for replacement or closing for new home construction. Refer to the limited warranty certificate in the *User's Information Manual* for details.

Features

- **Operating efficiency:** All PC5 air conditioner models are rated at 15.2 SEER2 for cooling operation. All models use a multi-stage compressor for maximum comfort and efficiency.
- **On-site flexibility:** All model sizes use a compact design cabinet in one of two footprints. This provides installer flexibility for placing the correct capacity unit on roof curbs, equipment pads, or concrete slabs with the smallest footprint after the internal load has been determined. Field-convertible duct connections from side shot to down shot allow the installer to have greater flexibility with less inventory.
- **Lower installation cost:** Installation time and costs are reduced by easy power wiring and control wiring connections. The small base dimension means less space is required on the ground or roof. All units are completely wired, charged with R-454B, and tested before shipment. Test stations using a state-of-the-art computerized process system are used to ensure product quality. Refrigerant charge and component part numbers are verified using computers during assembly. Vital run test statistics such as system pressures and motor currents are monitored and recorded by the system to ensure unit performance. Equal size side supply and return duct connections allow easy connection of ducts to match low crawl spaces without transition pieces.
- **Utility connections made easy:** Electric utility access is provided through the bottom or the side of the unit. Utility connections can be made quickly and with a minimum amount of field labor. A field-supplied electrical disconnect switch must be field installed.
- **Convertible airflow design:** The bottom duct openings are covered when they leave the factory, ready to be used for a side supply and side return application. If a bottom supply and bottom return application is required, remove the two panels from the bottom of the unit and place them in the side supply and side return duct openings. No panel cutting is required and no accessory panel is necessary. The convertible airflow design allows for maximum field flexibility and minimum inventory.

- **Condensate pan:** A corrosion-resistant, long-lasting, watertight pan is positioned below the indoor coil to collect and drain all condensate, preventing build-up of stagnant condensate. The condensate pan conforms to ASHRAE 62-19 standards - Ventilation for Acceptable Indoor Air Quality.
- **Condensate drain:** The 3/4 in. NPT female connection is rigidly mounted to ensure correct fit and a leaktight seal.
- **Durable finish:** The cabinet is made of G90 galvanized steel with a powder paint coating for appearance and protection. The pre-treated galvanized steel provides a better paint-to-steel bond, which resists corrosion and rust creep. The powder paint finish ensures less fading when exposed to sunlight, and provides superior corrosion resistance. The powder paint finish is 1,000 h salt spray tested.
- **Full perimeter base rails:** The easily removable base rails provide a solid foundation for the entire unit and protect the unit during shipment. The rails provide forklift access from all sides, and rigging holes are also provided so an overhead crane can be used to place the units on a roof. On applications where the unit is placed on an equipment pad, the base keeps the unit off the equipment pad to deter corrosion. On applications where height is limited, the base rails can be removed by removing two screws in each corner.
- **Attractive appearance:** The single-piece top cover contains a top-discharge outdoor fan arrangement. The one-piece design adds greater water integrity. Rounded corners with water drip edges add to the attractive appearance.
- **Top discharge:** The top-discharge outdoor fan does not disrupt neighboring areas or dry out vegetation surrounding the unit. The warm air from the top-mounted fan is blown up and away from the structure and any landscaping.
- **Outdoor coil grille:** All models use a stamped slotted design that provides superior impact protection against small objects during transit and after installation.
- **Low operating sound level:** The upward airflow carries the normal operating noise up and away from the living area. The rigid top panel effectively isolates noise. The isolator mounted compressor and the louvered fins of the outdoor coil muffle the normal fan motor and compressor operating sounds. The unique formed base pan also aids in sound attenuation with its structural design.
- **Fan system:** All models operate over a wide range of design conditions with a constant airflow ECM indoor blower motor. These units easily suit all types of applications and provide greater on-site flexibility to meet comfort requirements. The cooling and heating speeds are factory set at test design conditions but can be field adjusted. This allows for maximum comfort capabilities.
- **Humidistat feature:** The unit can operate with an optional humidistat to help control the humidity level in the conditioned space during cooling operation. The unit has a built-in humidistat feature for advanced dehumidification in cooling mode. The main control board is designed to work with a humidity control that closes when the humidity is below the setpoint. The humidity control is open when the humidity is above the setpoint. This humidity control may be referred to as a humidistat or dehumidistat. During cooling operation, if the humidity level is above the humidistat setpoint, the humidity control opens and the indoor blower airflow is reduced by approximately 15% of the selected high cool airflow setting.
- **Simple control circuit:** Units that contain over 3.915 lb of refrigerant have a factory installed refrigerant detection system (RDS) and field thermostat wiring connects to the RDS screw terminals. For non-RDS models, field thermostat wiring connects to color-coded leads using twist-on wire connections. Cooling controls use contactor and relays for simple application and troubleshooting. MATE-N-LOK plug connectors are used. The electrical control box is not located in the compressor compartment. The controls are mounted to allow removal of the separate access panel for troubleshooting and maintenance without affecting the normal system operating pressures. All wiring internal to the unit is color-coded and numbered.
- **Protected compressor:** The compressor is internally protected against high pressure and temperature. This is accomplished by the simultaneous operation of a high-pressure relief valve and a temperature sensor, which protects the compressor if unsuitable operating conditions occur.
- **High-pressure switch:** A high-pressure switch is standard in all units. It is an automatic reset switch. When discharge pressure reaches 650 psig, the compressor de-energizes until pressure reaches 450 psig.

-
- **Exclusive coil design:** The enhanced aluminum microchannel tubes and aluminum louvered fin construction of the outdoor coils improve heat transfer for maximum efficiency and durability. Indoor tube and fin coils have all aluminum construction for reliability and efficient heat transfer.
 - **Electric heat:** All electric heat models use 6HK electric heat kits, which are available in 208/230-1-60 from 5 kW to 25 kW. Most electric heat kits are stageable above 13 kW. Single-phase single-point field wiring kits are available for all applications except 25 kW.
 - **Low maintenance:** Long-life, permanently lubricated indoor blower motor bearings and outdoor fan motor bearings need no annual maintenance, adding greater reliability to the unit. The slide-out blower assembly and indoor coil assembly can be easily removed for cleaning.
 - **Easy service access:** Individual access panels provide access to all major components, for example, the compressor, indoor coil, blower, controls, electric heat kit, and air filters, making servicing easy. Removing these panels allows easy removal of components such as the blower assembly for maintenance and troubleshooting.
 - **Replacement parts:** The installer requires no special training to replace any of the components of these units. The number of new components has been reduced to minimize the inventory of unique parts.
 - **Low-pressure switch:** All models include a low-pressure switch to protect the compressor against abnormally low suction pressure.

Model number nomenclature

Table 1: Model nomenclature description

Number	Category	Option	Description
1, 2	Model type	PG	Packaged air conditioner with gas heat
		PD	Packaged heat pump with gas heat
		PC	Packaged air conditioner with optional electric heat
		PH	Packaged heat pump with optional electric heat
3	Efficiency	3	13.4 SEER2
		5	15.2 SEER2
4	Refrigerant	E	R-454B
5, 6	Nominal capacity (Btu/h x 1000)	24	24,000 Btu/h or 2 ton
		30	30,000 Btu/h or 2.5 ton
		36	36,000 Btu/h or 3 ton
		42	42,000 Btu/h or 3.5 ton
		48	48,000 Btu/h or 4 ton
		60	60,000 Btu/h or 5 ton
7	Heat type	L	Low NOx <40ng/J
		U	ULNx <14ng/J
		N	Electric heat
8, 9	Gas heating input (Btu/h x 1000)	05	50,000 Btu/h
		06	65,000 Btu/h
		07	75,000 Btu/h
		10	100,000 Btu/h
		12	125,000 Btu/h
		00	Electric heat
10	Control strategy	C	Communicating
		B	Wireless, communicating
		S	Standard, conventional
		W	Wireless, conventional
11	Voltage (V-phase-Hz)	2	208/230-1-60
		3	208/230-3-60
		4	460-3-60
12	Generation	1	First generation
		2	Second generation
		3	Third generation
		4	Fourth generation
13	Style	A	Style A
		B	Style B
		C	Style C
		D	Style D

Model number nomenclature example

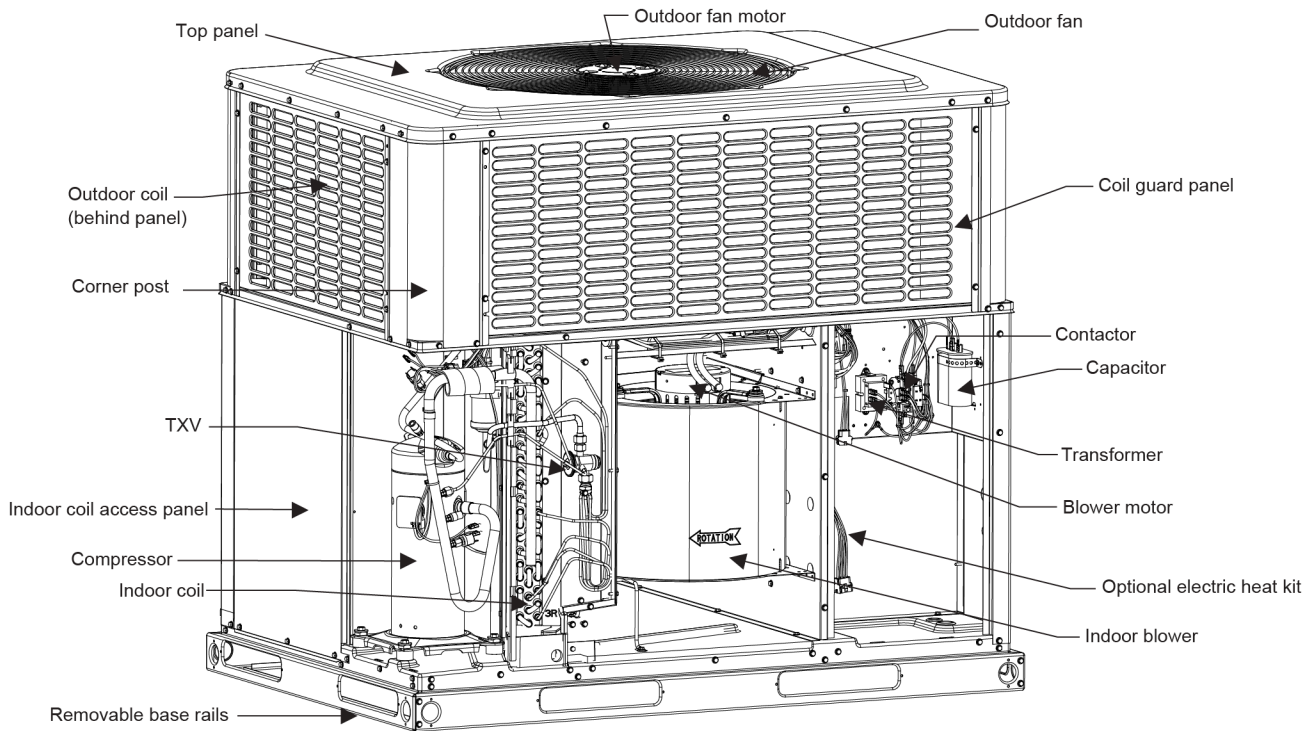
Table 2: Model nomenclature example

Number	1, 2	3	4	5, 6	7	8, 9	10	11	12	13
Option	PC	5	E	36	N	00	S	2	1	A

The PC5E36N00S21A model is a two-stage packaged air conditioner with optional electric heat. It has a 15.2 SEER2 efficiency rating and uses R-454B refrigerant. It has a nominal capacity of 36,000 Btu/h or 3 ton for cooling. It uses a standard control strategy and voltage of 208 V/230 V, single phase, 60 Hz. It is a first generation, style A model.

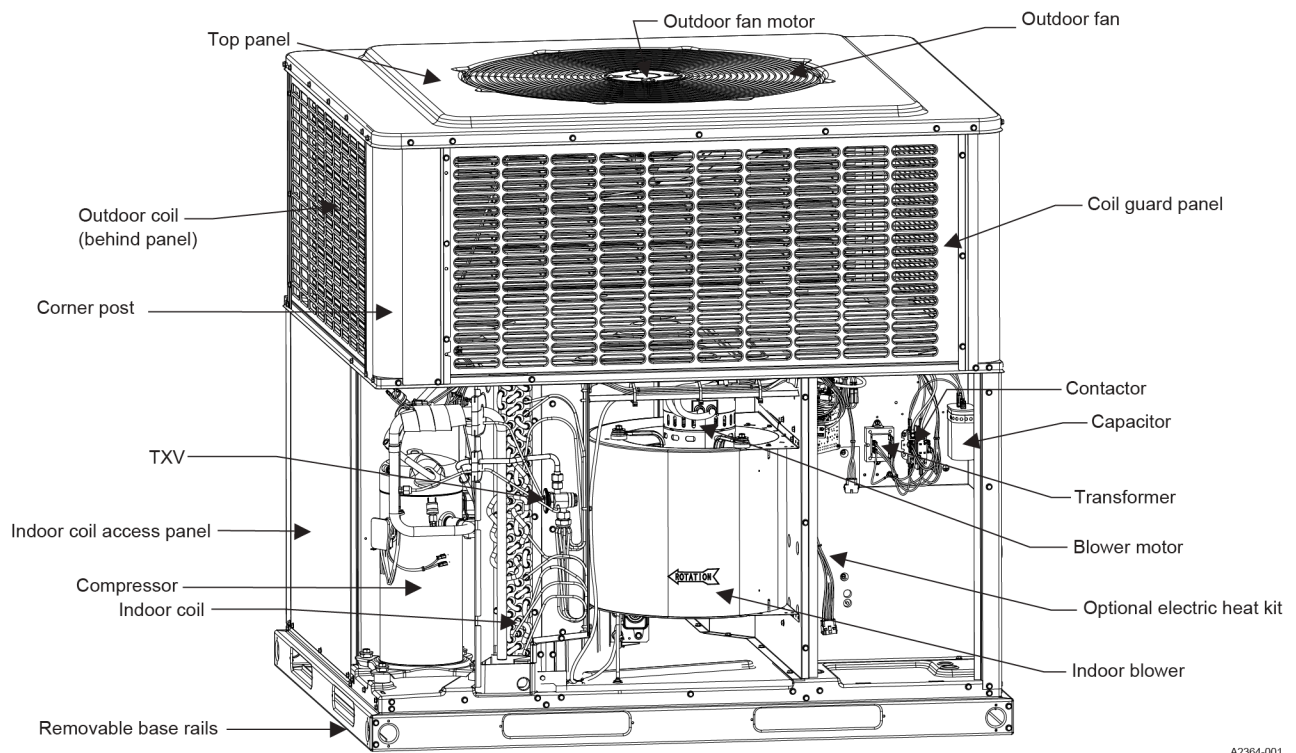
Unit components

Figure 1: Unit components - PC5E24 and PC5E36 units



A2363-001

Figure 2: Unit components - PC5E48 and PC5E60 units



A2364-001

Unit limitations

Table 3: Unit limitations

Model	Voltage (V-phase-Hz)	Unit limitations		
		Applied voltage (V)		Outdoor DB temperature (°F)
		Minimum	Maximum	Maximum
PC5E24N00S2 PC5E36N00S2 PC5E48N00S2 PC5E60N00S2	208/230-1-60	187	252	125

Application limitations

Table 4: Application limitations

Model	Air temperature at outdoor coil (°F)				Air temperature at indoor coil (°F)			
	Minimum		Maximum		Minimum		Maximum	
	DB cool	DB heat	DB cool	DB heat	WB cool	DB heat	WB cool	DB heat
PC5E24N00S2 PC5E36N00S2 PC5E48N00S2 PC5E60N00S2	55	—	125	—	57	55	72	80

Accessories

- **Ground mounting kit (S1-1HK1001) or roof mounting kit (S1-1HK1101):** These kits firmly anchor PG*, PC*, PH*, and PD* packaged units to an equipment pad or support structure. When correctly installed, the kits are approved for ground-mounted or roof-mounted applications, wind load certified, and listed with the State of Florida. See <https://floridabuilding.org> for this listing.
- **Economizer for downflow applications (S1-2EE04720024, S1-2EE04720124):** The modulating integrated economizer provides simultaneous operation between the mechanical cooling and economizer operation. The independent blade design ensures correct control and less than 1% leak rate. The economizer includes a hood and mesh bird screen filter integrated into the hood, a dry bulb sensor, and a barometric relief damper. Separate field accessories of single or dual enthalpy kits are also available.
- **Economizer for horizontal applications (S1-2EE04720224, S1-2EE04720324):** The modulating integrated economizer provides simultaneous operation between the mechanical cooling and economizer operation. The independent blade design ensures correct control and less than 1% leak rate. The economizer includes a hood and mesh bird screen filter integrated into the hood and a dry bulb sensor. Separate field accessories of single enthalpy and dual enthalpy are available.
- **Barometric relief hood (S1-1RD1201):** Used in conjunction with a horizontal economizer, the barometric relief hood helps to equalize the building pressure that is caused by the fresh air introduced through the economizer fresh air hood.
- **Single or dual enthalpy sensor (S1-HE-69630NS-2D):** This sensor replaces the supply air temperature dry bulb sensor provided as standard in the economizer kit. The sensor enables improved economizer operation by sensing the dry bulb temperature of indoor supply air plus the enthalpy content of the outdoor air.
- **Duct or unit mount CO₂ kit (S1-2AQ04700924):** This sensor kit detects CO₂ levels automatically and overrides the economizer when CO₂ levels rise above the preset limits.
- **Wall mount CO₂ kit (S1-2AQ04701024):** This sensor kit detects CO₂ levels automatically and overrides the economizer when CO₂ levels rise above the preset limits.
- **CO₂ sensor kit (S1-2AQ04700824):** This sensor kit detects CO₂ levels automatically and overrides the economizer when CO₂ levels rise above the preset limits.
- **Supply air temperature sensor kit (S1-TE-63616E-2D):** This outdoor supply air temperature sensor kit is used with economizers.
- **Air filter frame kit (S1-1FF0602, S1-1FF0601):** This kit contains the necessary hardware to field install return air filters into the base unit. The air filter rack is suitable for 1 in. air filters or 2 in. air filters.
- **Air filter (S1-02647812000):** Washable 1 in. air filter. Two air filters are required for A base units. Three air filters are required for B base units.
- **Motorized fresh air damper (S1-2MD04706224, S1-2MD04706124):** Designed for duct mounted side supply and return and unit mounted down supply and return applications. The damper is capable of providing 0% to 50% of outdoor air and is field supplied. The damper closes on power loss and includes a hood and screen assembly.
- **Rectangle to round (horizontal) adapter (S1-1AK0110, S1-1AK0111):** This kit includes one supply and one return air rectangle to round duct adapter. Adapters are preformed and designed to fit over current horizontal duct openings on the base unit. The transition is from rectangle to 12 in. round for the 1AK0110 kit and from rectangle to 14 in. round for the 1AK0111 kit.
- **Rectangle to round (downflow) adapter (S1-1AK0108, S1-1AK0109):** This kit includes one supply and one return air rectangle to round duct adapter. Adapters are preformed and designed to fit into current downflow duct openings on the roof curb. The transition is from rectangle to 16 in. round for the 1AK0108 kit and from rectangle to 18 in. round for the 1AK0109 kit.

- **Roof curbs (S1-1RC0503, S1-1RC0501):** NRCA approved curbs provide a correct fit to the base unit for rooftop installations. Curbs are designed to be assembled through hinge pins in each corner. The kit also provides seal strip to ensure an airtight seal. These are 8 in. high roof curbs.
 - **Roof curbs (S1-1RC0504, S1-1RC0502):** NRCA approved curbs provide a correct fit to the base unit for rooftop installations. Curbs are designed for assembly through hinge pins in each corner. The kit also provides seal strip to ensure an airtight seal. These are 14 in. high roof curbs.
 - **Transition curb kits (S1-1TC01*):** These adapter kits allow field use of existing installed roof curbs, matching the PC3 footprint to Affinity roof curbs or Carrier, Trane, or Goodman roof curbs. Curb adapters are optional for current generation Carrier replacements, but are recommended for previous generation applications. Refer to the PC3 *Price Pages* for more details.
 - **Manual outdoor damper (S1-1FA1202, S1-1FA1201):** The damper provides 0% to 50% outdoor air capability and is field adjustable. The damper is designed for duct mounted side supply and return applications and unit mounted down supply and return applications. The damper includes a hood and screen assembly.
 - **Transformer kit (S1-2EC06700124):** This kit provides the necessary hardware to change single-phase models from the factory with 40 VA transformer capability to 75 VA transformer capability. This is required for installations with an economizer or motorized damper.
 - **Low ambient kit (S1-2LA04701024):** This kit provides the necessary hardware to convert the unit to operate in cooling cycle down to 0°F. Standard unit operation is 55°F.
 - **Base rail hole cover kit (S1-1HC0101):** This kit provides the necessary hardware to close off openings in the base rails, for example, to prevent animals from entering.
 - **Single-point wiring kits for 6HK electric heat applications (S1-SPWK*):** These kits provide a field option for connecting electrical power supplies to a field-installed 6HK electric heat kit to allow single-point connections for single-phase electric heat applications, with the exception of 25 kW electric heat kits.
 - **Thermostat:** Compatible thermostat controls are available through accessory sourcing. For optimum performance, these outdoor units are fully compatible with our residential thermostat options available through Source 1. For more information, refer to the *Thermostats & Controllers* section at www.simplygettingthejobdone.com.
 - **Wall thermostat:** The units are designed to operate with standard, 24 V electronic non power-stealing and electromechanical thermostats. All units can operate with single-stage heat and single-stage cool thermostats with or without the economizer.
- ① **Note:** For additional kit numbers, refer to the *Price Pages*.

Guide specifications

Units shall be assembled at a facility with an ISO 9001:2015-certified Quality Management System. These packaged cooling and heating air conditioners are designed for outdoor installation. Only utility and duct connections are required at the point of installation. Air conditioning units provide electric cooling and electric heating, with field-installed electric heat kits from 5 kW to 25 kW for heating operation.

Description

Units shall be factory-assembled, single packaged, air conditioners with electric cooling/electric heating units, designed for outdoor installation. They shall have built-in, equal size, field convertible duct connections for downflow supply and return or horizontal supply and return. The units shall be factory wired, piped, charged with R-454B refrigerant, and factory tested before shipment. All models shall be rated in accordance with DOE and AHRI test procedures for both heating and cooling operation. Units shall be CSA listed to the UL 60335-2-40 (4th edition)/CAN/CSA-C22.2 No. 60335-2-40:22 standards.

Operating efficiency: All models shall be rated at a minimum of 15.2 SEER2 for cooling and heating operation rated in accordance with DOE requirements.

Low operating sound level: The upward airflow shall carry the normal operating noise up and away from the living area. The rigid top panel effectively isolates noise. The isolator mounted compressor and the louvered fins of the outdoor coil muffle the normal fan motor and compressor operating sounds. The unique formed base pan also aids in sound attenuation with its structural design. Sound ratings as tested under AHRI test procedures shall be less than 77 dBA for all models.

Unit cabinet

The unit cabinet shall be a single-piece design, with drip edges and no-seam corners to provide optimum water integrity. The unit shall have a rigidly mounted outdoor coil guard to provide protection from objects and personnel after installation. The indoor blower section shall be insulated with foil-faced or foam insulation, fastened to prevent insulation from entering the airstream. The cabinet panels shall be separate and easily removable for servicing and maintenance. The unit shall be built on a formed, design base pan, with embossments at critical points to add strength and rigidity and aid in minimizing sound. Full perimeter base rails shall be provided to ensure reliable transit of equipment and facilitate overhead rigging, allowing truck access and correct sealing on roof curb applications. Base rails shall be easily removable if their removal is required to lower the unit height. Filters shall be field installed, furnished, and accessible through a removable access door, sealed airtight. The unit's vertical discharge and return duct configuration shall be designed to fit between standard 24 in. O.C. beams without modification to the building structure, ductwork, and base unit.

Durable finish: The cabinet shall be made of G90 galvanized steel with a powder paint coating for appearance and protection. The pre-treated galvanized steel provides a better paint-to-steel bond, which resists corrosion and rust creep. The powder paint finish ensures less fading when exposed to sunlight, and provides superior corrosion resistance. The powder paint finish is 1,000 h salt spray tested.

On-site flexibility: All model sizes shall use a compact design cabinet in one of two footprints. This provides installer flexibility for placing the correct capacity unit on roof curbs or equipment pads or concrete slabs with the smallest footprint after the internal load has been determined. Field convertible duct connections from side shot to down shot allow the installer to have greater flexibility with less inventory.

Attractive appearance: A single-piece top cover containing a top-discharge outdoor fan arrangement shall be used. The one-piece design adds greater water integrity. Rounded corners with water drip edges add to the attractive appearance and prevent water penetration.

Convertible airflow design: The bottom duct openings shall be covered when they leave the factory, ready to be used for a side supply and side return application. If a bottom supply and bottom return application is

required, remove the two panels from the bottom of the unit and place them in the side supply and side return duct openings. No panel cutting is required and no accessory panel is necessary. The convertible airflow design allows for maximum field flexibility and minimum inventory.

Utility connections made easy: Electric utility access shall be provided through the bottom or the side of the unit. Utility connections must be made quickly and with a minimum amount of field labor. A field-supplied electrical disconnect switch must be field installed.

Easy service access: Individual access panels shall provide access to all major components, for example, the compressor, indoor coil, blower, controls, electric heat kit, and air filters, making servicing easy. Removing these panels allows easy removal of components such as the blower assembly for maintenance and ease of troubleshooting.

Top discharge: The top-discharge outdoor fan shall not disrupt neighboring areas or dry out vegetation surrounding the unit. The warm air from the top mounted fan is blown up and away from the structure and any landscaping.

Outdoor coil grille: All models shall use a stamped slotted design that provides superior impact protection against small objects during transit and after installation.

Indoor blower assembly: The blower shall be a direct drive design. The blower wheel shall be a double-inlet type with forward-curved blades, dynamically balanced to operate smoothly throughout the entire range of operation. Bearings shall be sealed and permanently lubricated for longer life and no maintenance. The blower assembly shall be a slide-out design for easy removal and cleaning. Indoor blower motors shall be equipped with a standard high-efficiency brushless DC motor.

Outdoor fan assembly: The outdoor fan shall be a direct driven propeller type, discharge air vertically, have aluminum blades riveted to a corrosion resistant steel spider bracket, and be statically balanced for smooth operation. The outdoor fan motor shall be totally enclosed with permanently lubricated bearings and internally protected against overload conditions.

Refrigerant components

Protected compressor: The compressor shall be a fully hermetic type, direct drive compressor, that is internally protected against high pressure and temperature. This is accomplished by the simultaneous operation of a high-pressure relief valve and a temperature sensor, which protects the compressor if unsuitable operating conditions occur. The hermetic motor shall be suction gas cooled and have a voltage range of $\pm 10\%$ of the unit rating plate voltage. Compressors shall have internal isolation and sound muffling to minimize vibration and noise, and be externally isolated on a dedicated, independent mounting.

Indoor coil: The indoor coil shall be a direct expansion, draw through design and have aluminum plate fins mechanically bonded to seamless internally enhanced aluminum tubes with all joints brazed.

Condensate pan: A corrosion-resistant, long-lasting, watertight pan shall be positioned below the indoor coil to collect and drain all condensate, preventing build-up of stagnant condensate. The condensate pan conforms to ASHRAE 62-19 standards - Ventilation for Acceptable Indoor Air Quality.

Condensate drain: The 3/4 in. NPT female connection shall be rigidly mounted to ensure correct fit and a leaktight seal.

Outdoor coils: Outdoor coils shall have aluminum louvered fins mechanically bonded to seamless internally enhanced aluminum microchannel tubes with all joints brazed, and be a draw through design.

Refrigerant circuit and refrigerant safety components shall include the following:

- Thermal expansion valve (TXV) that is factory mounted and provided
- Filter drier or strainer to eliminate any foreign matter

Controls

Simple control circuit: Units that contain over 3.915 lb of refrigerant shall have a factory installed refrigerant detection system (RDS) and field thermostat wiring shall connect to the RDS screw terminals. For non-RDS models, field thermostat wiring shall connect to color-coded leads using twist-on wire connections. Cooling controls use contactor and relays for simple application and troubleshooting. MATE-N-LOK plug connectors are used. The electrical control box is not located in the compressor compartment. The controls are mounted to allow removal of the separate access panel for troubleshooting and maintenance without affecting the normal system operating pressures. All wiring internal to the unit is color-coded and numbered.

High-pressure switch: A high-pressure switch shall be standard in all units. It is an automatic reset switch. When discharge pressure reaches 650 psig, the compressor de-energizes until pressure reaches 450 psig.

Factory testing: Installation time and costs shall be reduced by easy power wiring and control wiring connections. All units are completely wired, charged with R-454B, and tested before shipment. Test stations using a state-of-the-art computerized process system shall be used to ensure product quality. Refrigerant charge and component part numbers are verified using computer bar code scans during assembly. Vital run test statistics such as system pressures and motor currents are monitored and recorded by the system to ensure unit performance. This data could be provided by serial number tracking if requested.

Electric heat: All electric heat models use 6HK electric heat kits, which are available in 208/230-1-60 from 5 kW to 25 kW. Most electric heat kits are stageable above 13 kW. Single-point accessory kits are available for single-phase models. Single-phase single-point field wiring kits are available for all applications except 25 kW. Electric heat kits must be certified to UL 60335-2-40 (4th edition) standard requirements.

Physical data

Table 5: Physical data

Model		PC5E24N00S2	PC5E36N00S2	PC5E48N00S2	PC5E60N00S2
Nominal tonnage		2.0	3.0	4.0	5.0
AHRI cooling performance	Gross capacity at AHRI A point (MBH)	23.6	36.2	48.6	60.3
	AHRI net capacity (MBH)	23.0	35.0	47.0	58.0
	EER2	11.5	11.5	11.5	11.5
	SEER2	15.2	15.2	15.2	15.2
	Nominal CFM	800	1150	1550	1800
	System power (kW)	2.0	3.0	4.1	5.0
	Refrigerant type	R-454B	R-454B	R-454B	R-454B
	Refrigerant charge (lb-oz)	2-8	3-11	4-7	5-3
Dimensions	Length (in.)	51 1/4	51 1/4	51 1/4	51 1/4
	Width (in.)	35 3/4	35 3/4	45 3/4	45 3/4
	Height (in.)	44	47	47	50
Operating weight (lb)		310	345	410	423
Compressor	Type	Scroll	Scroll	Scroll	Scroll
	Stage	2	2	2	2
Outdoor coil data	Face area (sq ft)	12.3	15.3	17.5	21.1
	Rows	1	1	1	1
	Fins per inch	21	23	23	23
	Tube width (mm)	12	16	16	16
	Coil type	Microchannel	Microchannel	Microchannel	Microchannel
Indoor coil data	Face area (sq ft)	4.6	4.6	6.2	6.2
	Rows	2	3	3	4
	Fins per inch	16	16	16	16
	Tube diameter (in.)	3/8	3/8	3/8	3/8
	Circuitry type	Straight	Straight	Straight	Straight
	Refrigerant control	TXV	TXV	TXV	TXV
Outdoor fan data	Coil type	Finned tube	Finned tube	Finned tube	Finned tube
	Fan diameter (in.)	24	24	26	26
	Type	Propeller	Propeller	Propeller	Propeller
	Drive type	Direct	Direct	Direct	Direct
	Number of speeds	1	1	1	1
	Motor (hp)	1/8	1/3	1/3	1/3
	RPM	790	850	850	850
Nominal total CFM	2400	2400	3200	3200	
Direct drive indoor blower data	Blower size (in.)	11 x 8	11 x 10	11 x 10	11 x 10
	Type	Centrifugal	Centrifugal	Centrifugal	Centrifugal
	Motor (hp)	1/2	1/2	3/4	1
	RPM (maximum)	1400	1400	1400	1400
	Frame size (in.)	48	48	48	48
Filter size		A	A	B	B
①	Note: You must size field-supplied external filters so as not to exceed 300 FPM air velocity through disposable filters. For internal filter use, an air filter frame kit is available for field installation. Refer to the instructions supplied with the kit for replacement filter sizes. Filter size A is 20 in. x 20 in. Filter size B is 20 in. x 30 in.				

Cooling performance data

Table 6: Cooling performance data for PC5E24N00S2 unit - 2 ton

Condenser entering air temperature DB/WB (°F)	ID SCFM	600					800					1000				
	IDDB (°F)	80	80	75	80	80	80	80	75	80	80	80	80	75	80	80
	IDWB (°F)	57	62	62	67	72	57	62	62	67	72	57	62	62	67	72
55/45	Total capacity (MBH)	24.1	26.5	26.4	28.9	31.3	26.6	28.4	28.4	31.4	34.3	28.4	29.9	29.9	33.3	37.0
	Sensible capacity (MBH)	24.1	21.6	18.6	18.5	15.5	26.6	25.1	21.4	21.4	18.0	28.4	27.9	23.7	23.7	20.6
	Total power (kW)	1.16	1.18	1.18	1.19	1.21	1.23	1.25	1.25	1.26	1.27	1.29	1.32	1.32	1.32	1.33
65/55	Total capacity (MBH)	23.5	25.9	25.8	28.3	30.8	25.5	27.1	27.0	29.5	32.1	27.0	27.7	27.8	30.3	32.9
	Sensible capacity (MBH)	23.5	21.1	18.2	18.2	15.3	25.5	23.8	20.2	20.2	16.5	27.0	25.9	21.8	21.8	17.5
	Total power (kW)	1.36	1.36	1.36	1.35	1.35	1.41	1.42	1.42	1.41	1.41	1.47	1.47	1.48	1.47	1.46
75/63	Total capacity (MBH)	22.2	24.2	24.2	26.5	28.8	24.1	25.2	25.3	27.6	30.0	25.4	25.8	25.9	28.2	30.7
	Sensible capacity (MBH)	22.2	20.0	17.0	17.0	13.9	24.1	22.7	19.1	19.0	15.1	25.4	24.9	20.7	20.6	16.1
	Total power (kW)	1.49	1.49	1.50	1.50	1.49	1.55	1.56	1.56	1.55	1.56	1.61	1.61	1.62	1.62	1.62
85/69	Total capacity (MBH)	20.9	22.5	22.5	24.7	26.9	22.7	23.4	23.5	25.7	27.9	23.9	23.9	24.0	26.2	28.5
	Sensible capacity (MBH)	20.9	18.9	15.9	15.8	12.6	22.7	21.6	17.9	17.8	13.8	23.9	23.9	19.7	19.5	14.8
	Total power (kW)	1.64	1.64	1.65	1.65	1.65	1.70	1.71	1.71	1.71	1.72	1.76	1.76	1.77	1.77	1.78
95/75	Total capacity (MBH)	19.6	21.0	21.0	23.0	25.1	21.3	21.8	21.9	23.9	26.0	22.4	22.4	22.3	24.4	26.5
	Sensible capacity (MBH)	19.6	17.9	14.9	14.7	11.5	21.3	20.6	16.9	16.7	12.6	22.4	22.4	18.7	18.4	13.6
	Total power (kW)	1.82	1.83	1.84	1.84	1.85	1.89	1.90	1.90	1.91	1.92	1.96	1.96	1.97	1.97	1.99
105/83	Total capacity (MBH)	18.0	18.9	18.9	20.7	22.6	19.6	19.6	19.6	21.5	23.4	20.8	20.8	20.0	21.8	23.9
	Sensible capacity (MBH)	18.0	16.6	13.3	12.8	9.2	19.6	19.6	15.9	15.4	10.7	20.8	20.8	18.2	17.8	12.1
	Total power (kW)	2.05	2.06	2.07	2.08	2.10	2.12	2.12	2.14	2.15	2.17	2.19	2.19	2.20	2.22	2.24
115/89	Total capacity (MBH)	15.7	16.3	16.0	17.4	19.3	17.2	17.2	17.0	18.5	20.3	18.1	18.1	17.2	18.8	20.6
	Sensible capacity (MBH)	15.7	14.5	12.2	11.8	7.4	17.2	17.2	13.8	13.1	8.1	18.1	18.1	16.6	15.8	9.6
	Total power (kW)	2.31	2.33	2.32	2.33	2.36	2.39	2.39	2.41	2.43	2.46	2.47	2.47	2.46	2.49	2.53
125/95	Total capacity (MBH)	12.7	13.6	13.3	15.5	16.5	12.8	13.7	13.3	15.5	17.9	12.5	13.6	12.8	15.0	17.5
	Sensible capacity (MBH)	12.7	12.3	10.1	8.8	4.8	12.8	13.7	11.0	11.0	6.9	12.5	13.6	12.8	13.0	8.0
	Total power (kW)	2.66	2.66	2.65	2.69	2.71	2.73	2.72	2.73	2.74	2.78	2.79	2.78	2.77	2.79	2.84

Table 7: Cooling performance data for PC5E36N00S2 unit - 3 ton

Condenser entering air temperature DB/WB (°F)	ID SCFM	950					1150					1350				
	IDDB (°F)	80	80	75	80	80	80	80	75	80	80	80	80	75	80	80
	IDWB (°F)	57	62	62	67	72	57	62	62	67	72	57	62	62	67	72
55/45	Total capacity (MBH)	37.3	40.4	40.3	43.8	48.4	39.4	41.8	41.6	45.6	50.3	41.0	42.8	42.5	46.7	51.6
	Sensible capacity (MBH)	37.3	34.2	29.8	29.4	26.3	39.4	37.2	31.9	31.6	28.2	41.0	39.7	33.7	33.5	29.7
	Total power (kW)	1.89	1.90	1.90	1.91	1.93	2.00	2.01	2.01	2.02	2.04	2.11	2.12	2.12	2.13	2.16
65/55	Total capacity (MBH)	36.0	39.0	38.9	42.6	46.2	37.8	40.1	39.9	43.6	47.2	39.1	40.7	40.5	44.3	47.9
	Sensible capacity (MBH)	36.0	32.8	28.6	28.9	24.9	37.8	35.1	30.2	30.5	25.8	39.1	37.0	31.5	31.8	26.6
	Total power (kW)	2.07	2.08	2.08	2.09	2.10	2.18	2.19	2.19	2.20	2.22	2.29	2.29	2.30	2.31	2.32
75/63	Total capacity (MBH)	34.5	37.0	36.9	40.5	44.0	36.2	38.0	37.8	41.4	44.9	37.4	38.5	38.4	42.0	45.6
	Sensible capacity (MBH)	34.5	31.7	27.3	27.6	23.4	36.2	34.0	29.0	29.2	24.3	37.4	36.1	30.4	30.6	25.1
	Total power (kW)	2.26	2.27	2.27	2.28	2.29	2.37	2.38	2.38	2.39	2.40	2.48	2.48	2.49	2.49	2.51
85/69	Total capacity (MBH)	32.9	35.0	34.9	38.3	41.7	34.5	35.8	35.7	39.1	42.6	35.7	36.2	36.3	39.7	43.1
	Sensible capacity (MBH)	32.9	30.4	26.0	26.1	21.8	34.5	32.8	27.7	27.8	22.8	35.7	34.9	29.2	29.3	23.6
	Total power (kW)	2.48	2.49	2.49	2.50	2.50	2.59	2.59	2.60	2.60	2.61	2.70	2.70	2.71	2.71	2.72
95/75	Total capacity (MBH)	31.0	32.8	32.8	36.0	39.3	32.5	33.5	33.5	36.8	40.1	33.6	33.8	34.0	37.3	40.6
	Sensible capacity (MBH)	31.0	28.8	24.5	24.5	20.1	32.5	31.2	26.1	26.2	21.0	33.6	33.4	27.6	27.6	21.8
	Total power (kW)	2.75	2.75	2.76	2.76	2.77	2.86	2.86	2.87	2.87	2.88	2.96	2.96	2.97	2.97	2.99
105/83	Total capacity (MBH)	28.9	29.9	30.0	32.9	35.9	30.4	30.4	30.5	33.4	36.5	31.4	31.4	30.8	33.8	36.9
	Sensible capacity (MBH)	28.9	27.5	22.8	22.6	17.5	30.4	30.4	24.8	24.5	18.6	31.4	31.4	26.5	26.3	19.6
	Total power (kW)	3.04	3.04	3.05	3.05	3.06	3.14	3.14	3.16	3.16	3.17	3.25	3.25	3.26	3.26	3.28
115/89	Total capacity (MBH)	26.0	26.4	26.4	29.0	31.7	27.3	27.3	26.9	29.5	32.2	28.3	28.3	27.1	29.8	32.5
	Sensible capacity (MBH)	26.0	25.3	20.4	20.0	14.6	27.3	27.3	22.5	22.1	15.7	28.3	28.3	24.6	24.1	16.8
	Total power (kW)	3.38	3.38	3.39	3.40	3.41	3.49	3.49	3.50	3.51	3.52	3.59	3.60	3.61	3.61	3.63
125/95	Total capacity (MBH)	21.8	22.2	22.0	24.5	27.0	22.1	23.1	22.2	25.4	28.9	22.1	23.6	22.2	26.0	30.0
	Sensible capacity (MBH)	21.8	22.2	17.4	17.0	11.5	22.1	23.1	19.4	19.6	13.8	22.1	23.6	21.3	21.5	15.4
	Total power (kW)	3.90	3.86	3.90	3.88	3.89	3.98	3.95	3.99	3.97	3.98	4.07	4.04	4.07	4.07	4.10

Table 8: Cooling performance data for PC5E48N00S2 unit - 4 ton

Condenser entering air temperature DB/WB (°F)	ID SCFM	1350					1550					1750				
	IDDB (°F)	80	80	75	80	80	80	80	75	80	80	80	80	75	80	80
	IDWB (°F)	57	62	62	67	72	57	62	62	67	72	57	62	62	67	72
55/45	Total capacity (MBH)	51.3	55.2	55.2	60.0	64.4	53.8	57.0	57.0	62.1	67.0	55.8	58.4	58.5	63.8	69.4
	Sensible capacity (MBH)	51.3	46.9	40.3	39.8	33.1	53.8	50.4	43.0	42.4	35.5	55.8	53.5	45.4	44.5	37.8
	Total power (kW)	2.57	2.59	2.59	2.62	2.65	2.66	2.68	2.68	2.72	2.76	2.75	2.77	2.77	2.81	2.86
65/55	Total capacity (MBH)	49.0	53.1	53.0	58.1	63.4	50.9	54.2	54.2	59.3	64.6	52.5	54.9	55.0	60.2	65.5
	Sensible capacity (MBH)	49.0	44.6	38.4	38.7	32.6	50.9	47.2	40.3	40.5	33.7	52.5	49.7	42.0	42.2	34.7
	Total power (kW)	2.77	2.80	2.80	2.83	2.87	2.87	2.89	2.89	2.92	2.97	2.96	2.98	2.98	3.02	3.06
75/63	Total capacity (MBH)	46.8	50.3	50.3	55.1	60.2	48.7	51.2	51.3	56.1	61.3	50.2	51.8	52.0	56.9	62.1
	Sensible capacity (MBH)	46.8	42.9	36.6	36.7	30.4	48.7	45.5	38.5	38.6	31.6	50.2	48.1	40.2	40.3	32.6
	Total power (kW)	3.07	3.08	3.09	3.11	3.15	3.16	3.18	3.18	3.20	3.25	3.26	3.27	3.27	3.30	3.34
85/69	Total capacity (MBH)	44.5	47.3	47.4	52.0	56.7	46.2	48.1	48.3	52.9	57.8	47.7	48.6	48.9	53.6	58.5
	Sensible capacity (MBH)	44.5	41.1	34.8	34.8	28.3	46.2	43.9	36.7	36.7	29.5	47.7	46.4	38.4	38.4	30.5
	Total power (kW)	3.42	3.43	3.43	3.45	3.49	3.51	3.52	3.52	3.55	3.58	3.60	3.61	3.62	3.64	3.68
95/75	Total capacity (MBH)	42.1	44.1	44.4	48.8	53.4	43.7	44.9	45.2	49.6	54.2	45.1	45.3	45.7	50.2	54.8
	Sensible capacity (MBH)	42.1	39.6	33.0	33.0	26.5	43.7	42.3	34.9	34.9	27.6	45.1	44.7	36.7	36.6	28.6
	Total power (kW)	3.81	3.81	3.82	3.83	3.86	3.90	3.90	3.91	3.93	3.96	3.99	3.99	4.00	4.02	4.05
105/83	Total capacity (MBH)	40.0	40.7	40.9	44.9	49.0	41.6	41.6	41.6	45.6	49.8	42.9	42.9	42.0	46.0	50.3
	Sensible capacity (MBH)	40.0	38.8	31.9	31.5	24.0	41.6	41.6	34.4	33.9	25.4	42.9	42.9	36.7	36.3	26.7
	Total power (kW)	4.32	4.31	4.32	4.33	4.36	4.41	4.41	4.41	4.42	4.45	4.50	4.50	4.50	4.51	4.54
115/89	Total capacity (MBH)	36.3	36.4	36.6	40.2	43.9	37.7	37.7	37.1	40.7	44.5	38.9	38.9	37.5	41.0	44.8
	Sensible capacity (MBH)	36.3	36.1	28.9	28.3	20.3	37.7	37.7	31.6	30.9	21.9	38.9	38.9	34.0	33.5	23.4
	Total power (kW)	4.92	4.90	4.92	4.92	4.95	5.00	5.00	5.00	5.01	5.03	5.09	5.09	5.09	5.09	5.12
125/95	Total capacity (MBH)	30.0	30.5	30.2	34.9	40.6	31.1	31.6	30.6	35.6	41.1	31.9	32.5	30.9	36.3	41.3
	Sensible capacity (MBH)	30.0	30.5	24.0	24.6	19.0	31.1	31.6	26.5	27.6	20.6	31.9	32.5	29.4	30.5	22.1
	Total power (kW)	5.65	5.65	5.65	5.66	5.66	5.74	5.74	5.73	5.70	5.74	5.83	5.82	5.81	5.76	5.83

Table 9: Cooling performance data for PC5E60N00S2 unit - 5 ton

Condenser entering air temperature DB/WB (°F)	ID SCFM	1600					1800					2000				
	IDDB (°F)	80	80	75	80	80	80	80	75	80	80	80	80	75	80	80
	IDWB (°F)	57	62	62	67	72	57	62	62	67	72	57	62	62	67	72
55/45	Total capacity (MBH)	61.7	65.5	65.2	70.5	75.4	63.6	66.8	66.4	72.2	78.0	65.0	67.9	67.4	73.8	80.4
	Sensible capacity (MBH)	61.7	55.9	48.2	47.3	39.6	63.6	58.8	50.3	49.7	42.5	65.0	61.3	52.1	51.8	45.1
	Total power (kW)	3.25	3.29	3.29	3.36	3.44	3.47	3.50	3.51	3.58	3.67	3.68	3.72	3.72	3.80	3.92
65/55	Total capacity (MBH)	59.3	63.6	63.4	69.6	75.7	60.9	64.3	64.1	70.4	76.4	62.2	64.8	64.6	70.8	76.9
	Sensible capacity (MBH)	59.3	54.3	46.6	47.0	39.6	60.9	56.6	48.2	48.5	40.3	62.2	58.7	49.5	49.9	40.9
	Total power (kW)	3.51	3.57	3.57	3.66	3.76	3.73	3.78	3.79	3.88	3.99	3.95	3.99	4.00	4.09	4.20
75/63	Total capacity (MBH)	56.9	60.5	60.4	66.2	72.2	58.5	61.0	61.1	66.9	72.9	59.8	61.3	61.5	67.3	73.4
	Sensible capacity (MBH)	56.9	52.3	44.3	44.3	36.3	58.5	55.0	46.1	46.1	37.2	59.8	57.6	47.8	47.7	37.9
	Total power (kW)	3.85	3.91	3.92	4.00	4.11	4.08	4.12	4.13	4.22	4.33	4.30	4.33	4.35	4.43	4.55
85/69	Total capacity (MBH)	54.0	56.6	56.9	62.3	68.0	55.6	57.2	57.5	63.0	68.7	56.8	57.5	57.8	63.4	69.1
	Sensible capacity (MBH)	54.0	50.1	41.7	41.4	32.9	55.6	53.0	43.7	43.3	33.9	56.8	55.7	45.6	45.1	34.7
	Total power (kW)	4.26	4.30	4.31	4.40	4.52	4.49	4.52	4.53	4.62	4.74	4.72	4.73	4.74	4.84	4.96
95/75	Total capacity (MBH)	51.3	53.4	53.4	58.5	64.1	52.8	53.8	54.0	59.1	64.8	54.0	54.0	54.3	59.5	65.3
	Sensible capacity (MBH)	51.3	48.0	39.9	39.4	30.4	52.8	51.1	41.9	41.4	31.4	54.0	54.0	43.8	43.3	32.3
	Total power (kW)	4.74	4.77	4.78	4.86	4.98	4.97	4.99	5.00	5.08	5.21	5.20	5.20	5.21	5.30	5.43
105/83	Total capacity (MBH)	47.8	48.9	49.0	53.6	58.4	49.2	49.2	49.4	54.1	58.9	50.3	50.4	49.6	54.3	59.3
	Sensible capacity (MBH)	47.8	45.7	37.4	36.6	27.5	49.2	49.2	39.7	38.9	28.8	50.3	50.4	42.0	41.2	29.9
	Total power (kW)	5.30	5.32	5.32	5.41	5.53	5.54	5.54	5.54	5.63	5.75	5.77	5.77	5.75	5.85	5.97
115/89	Total capacity (MBH)	43.6	44.0	44.2	48.3	52.6	44.9	44.9	44.5	48.6	53.0	45.9	45.9	44.6	48.8	53.3
	Sensible capacity (MBH)	43.6	43.0	34.2	33.4	24.1	44.9	44.9	36.7	35.7	25.3	45.9	45.9	38.9	38.1	26.6
	Total power (kW)	5.95	5.96	5.97	6.06	6.18	6.19	6.20	6.19	6.28	6.40	6.43	6.43	6.40	6.50	6.63
125/95	Total capacity (MBH)	37.3	38.3	38.1	43.0	48.3	37.5	39.0	38.0	43.2	49.0	37.5	39.4	37.7	43.3	49.6
	Sensible capacity (MBH)	37.3	38.3	30.7	30.2	21.6	37.5	39.0	32.6	32.7	23.4	37.5	39.4	34.5	35.0	25.2
	Total power (kW)	6.77	6.77	6.77	6.87	7.03	6.96	6.97	6.94	7.06	7.23	7.15	7.17	7.12	7.25	7.45

Sound performance data

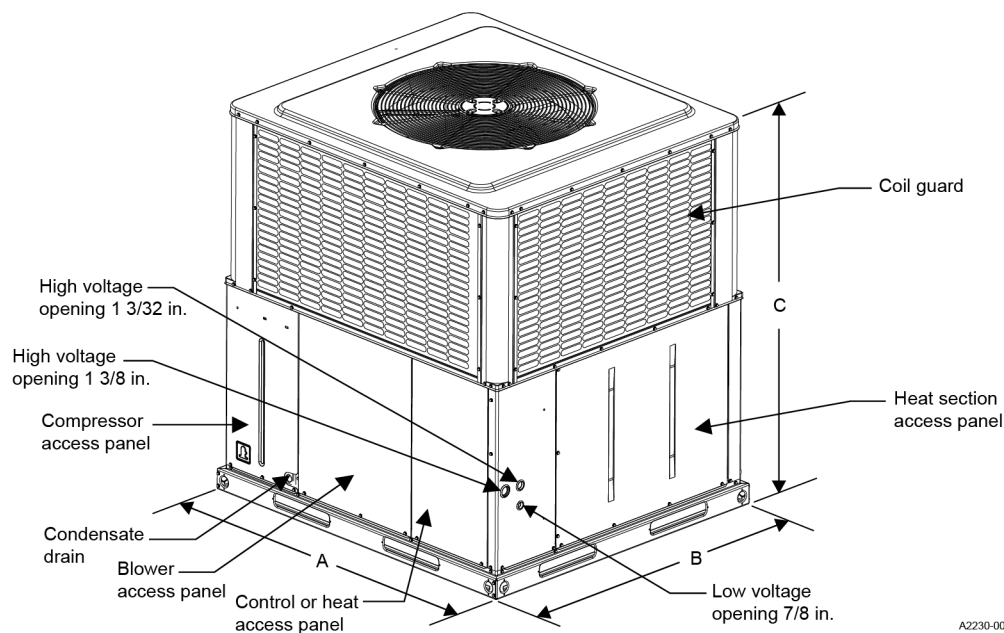
Table 10: Sound performance data

Model	Sound rating (dBA)	Octave band centerline frequency (Hz)							
		63	125	250	500	1000	2000	4000	8000
PC5E24N00S2	72.3	73.9	83.5	69.3	67.8	65	61	55.5	51.9
PC5E36N00S2	75.7	81.1	77.9	73.5	69.7	71.9	66.1	60.7	55.8
PC5E48N00S2	73.6	80.1	76.9	72.5	69.1	69	64	59.5	53.9
PC5E60N00S2	76.3	77.4	81.1	71.3	69.1	73	65	60.5	55.6

① **Note:** The sound rating shown is rated in accordance with AHRI Standard 270.

Unit dimensions and access locations

Figure 3: Unit dimensions and access locations



A2230-001

Table 11: Unit dimensions

Model	Dimensions (in.)		
	A	B	C
PC5E24N00S2	51 1/4	35 3/4	44
PC5E36N00S2	51 1/4	35 3/4	47
PC5E48N00S2	51 1/4	45 3/4	47
PC5E60N00S2	51 1/4	45 3/4	50

Weights and dimensions

Figure 4: Center of gravity

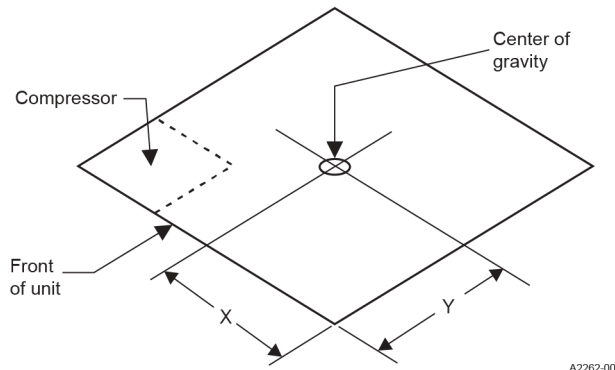


Table 12: Weights and dimensions

Model	Weight (lb)		Center of gravity (in.)	
	Shipping	Operating	X	Y
PC5E24N00S21	315	310	30	14
PC5E36N00S21	350	345	32	13
PC5E48N00S21	415	410	30	22
PC5E60N00S21	428	423	29	23

Unit clearances

Table 13: Unit clearances

Direction	Distance (in.)	Direction	Distance (in.)
Top	36	Right side	36
Side opposite ducts	36	Left side	24
Duct panel	6	Bottom	1

- Note:**
- For 20 kW and 25 kW electric heat kits, provide a minimum clearance of 1 in. on all sides of the supply air duct for the first 3 ft of the supply air duct. 0 in. clearance is acceptable on all sides of the supply air duct for the remaining length of the supply air duct. For all other electric heat kits, 0 in. clearance is acceptable on all sides of the supply air duct for the entire length of the supply air duct.
 - Install units outdoors. Make sure that overhanging structures or shrubs do not obstruct the outdoor air discharge outlet.
 - You can install units on combustible materials made from wood or class A, B, or C roof covering materials if the factory base rails are left in place as shipped.
 - For units installed on a roof curb, you can reduce the minimum clearance between combustible roof curb material and the supply air duct from 1 in. to 1/2 in.

Electrical data for 208/230-1-60 single source power

Table 14: Electrical data for 208/230-1-60 single source power

Model	Compressor			Outdoor fan motor	Blower motor	Electric heat option						MCA (A)		MOP (A)			
	RLA	LRA	MCC			FLA	FLA	Electric heat kit	Electric heat kit (kW)		Stages	Electric heat kit (A)		208 V	230 V	208 V	230 V
								model	208 V	230 V		208 V	230 V				
PC5E24	10.3	62	16.0	0.8	4.8	none	—	—	—	—	—	18.4	18.4	25	25		
						6HK16500506	3.6	4.4	1	17.3	19.2	27.7	30.0	30	30		
						6HK16500806	5.8	7.1	1	27.7	30.7	40.7	44.3	45	45		
						6HK16501006	7.2	8.8	1	34.7	38.3	49.3	53.9	50	60		
PC5E36	14.6	90	22.7	1.7	4.8	none	—	—	—	—	—	24.7	24.7	35	35		
						6HK16500506	3.6	4.4	1	17.3	19.2	27.7	30.0	35	35		
						6HK16500806	5.8	7.1	1	27.7	30.7	40.7	44.3	45	45		
						6HK16501006	7.2	8.8	1	34.7	38.3	49.3	53.9	50	60		
PC5E48	18.3	138	28.6	1.7	6.8	none	—	—	—	—	—	31.4	31.4	45	45		
						6HK16500506	3.6	4.4	1	17.3	19.2	31.4	32.5	45	45		
						6HK16500806	5.8	7.1	1	27.7	30.7	43.2	46.8	45	50		
						6HK16501006	7.2	8.8	1	34.7	38.3	51.8	56.4	60	60		
PC5E60	23.7	123	37.0	1.7	8.0	none	—	—	—	—	—	39.3	39.3	60	60		
						6HK16500506	3.6	4.4	1	17.3	19.2	39.3	39.3	60	60		
						6HK16500806	5.8	7.1	1	27.7	30.7	44.7	48.3	60	60		
						6HK16501006	7.2	8.8	1	34.7	38.3	53.3	57.9	60	60		
PC5E60	23.7	123	37.0	1.7	8.0	6HK16501506	10.8	13.2	2	52.0	57.5	75.0	81.9	80	90		
						6HK16502006	14.4	17.6	2	69.3	76.7	96.7	105.8	100	110		


Note:

- 208/230-1-60 indicates 208 V/230 V, single phase, 60 Hz.
- MCA indicates minimum circuit ampacity.
- MOP indicates maximum overcurrent protection device. This must be a HACR circuit breaker or time delay fuse. The HACR circuit breaker or time delay fuse must be field installed. The maximum overcurrent protection must be in accordance with the UL 60335-2-40 standard (fourth edition).
- A single-point wiring kit is required.

Electrical data for 208-1-60 multi source power

Table 15: Electrical data for 208-1-60 multi source power

Model	Compressor			Outdoor fan motor	Blower motor	Electric heat option (208 V)				Multi source (208 V)									
	RLA	LRA	MCC			FLA	FLA	Electric heat kit model	Electric heat kit (kW)	Stages	Electric heat kit (A)	Circuit 1 (compressor)		Circuit 2 (heat)		Circuit 3 (heat)		Circuit 4 (heat)	
												MCA (A)	MOP (A)	MCA (A)	MOP (A)	MCA (A)	MOP (A)	MCA (A)	MOP (A)
PC5E24	10.3	62.0	16.0	0.8	4.8	none	—	—	—	18.4	25	—	—	—	—	—	—	—	
						6HK(0,1)6500506	3.6	1	17.3	18.4	25	21.7	25	—	—	—	—		
						6HK(0,1)6500806	5.8	1	27.7	18.4	25	34.7	35	—	—	—	—		
						6HK(0,1)6501006	7.2	1	34.7	18.4	25	43.3	45	—	—	—	—		
PC5E36	14.6	90.0	22.7	1.7	4.8	none	—	—	—	24.7	35	—	—	—	—	—	—		
						6HK(0,1)6500506	3.6	1	17.3	24.7	35	21.7	25	—	—	—	—		
						6HK(0,1)6500806	5.8	1	27.7	24.7	35	34.7	35	—	—	—	—		
						6HK(0,1)6501006	7.2	1	34.7	24.7	35	43.3	45	—	—	—	—		
						6HK16501506	10.8	2	52.0	24.7	35	21.7	25	43.3	45	—	—		
						6HK26501506	10.8	2	52.0	24.7	35	65.0	70	—	—	—	—		
PC5E48	18.3	138.0	28.6	1.7	6.8	none	—	1	—	31.4	45	—	—	—	—	—	—		
						6HK(0,1)6500506	3.6	1	17.3	31.4	45	21.7	25	—	—	—	—		
						6HK(0,1)6500806	5.8	1	27.7	31.4	45	34.7	35	—	—	—	—		
						6HK(0,1)6501006	7.2	1	34.7	31.4	45	43.3	45	—	—	—	—		
						6HK16501506	10.8	2	52.0	31.4	45	21.7	25	43.3	45	—	—		
						6HK16502006	14.4	2	69.3	31.4	45	43.3	45	43.3	45	—	—		
						6HK26501506	10.8	2	52.0	31.4	45	65.0	70	—	—	—	—		
						6HK26502006	14.4	2	69.3	31.4	45	86.7	90	—	—	—	—		
PC5E60	23.7	123.0	37.0	1.7	8.0	none	—	1	—	39.3	60	—	—	—	—	—	—		
						6HK(0,1)6500506	3.6	1	17.3	39.3	60	21.7	25	—	—	—	—		
						6HK(0,1)6500806	5.8	1	27.7	39.3	60	34.7	35	—	—	—	—		
						6HK(0,1)6501006	7.2	1	34.7	39.3	60	43.3	45	—	—	—	—		
						6HK16501506	10.8	2	52.0	39.3	60	21.7	25	43.3	45	—	—		
						6HK16502006	14.4	2	69.3	39.3	60	43.3	45	43.3	45	—	—		
						6HK16502506	18.0	2	86.7	39.3	60	43.3	45	43.3	45	21.7	25		
						6HK26501506	10.8	2	52.0	39.3	60	65.0	70	—	—	—	—		
						6HK26502006	14.4	2	69.3	39.3	60	86.7	90	—	—	—	—		

**Note:**

- 208-1-60 indicates 208 V, single phase, 60 Hz.
- MCA indicates minimum circuit ampacity.
- MOP indicates maximum overcurrent protection device. This must be a HACR circuit breaker or time delay fuse.

Electrical data for 230-1-60 multi source power

Table 16: Electrical data for 230-1-60 multi source power

Model	Compressor			Outdoor fan motor	Blower motor	Electric heat option (230 V)				Multi source (230 V)									
	RLA	LRA	MCC			FLA	FLA	Electric heat kit model	Electric heat kit (kW)	Stages	Electric heat kit (A)	Circuit 1 (compressor)		Circuit 2 (heat)		Circuit 3 (heat)		Circuit 4 (heat)	
												MCA (A)	MOP (A)	MCA (A)	MOP (A)	MCA (A)	MOP (A)	MCA (A)	MOP (A)
PC5E24	10.3	62.0	16.0	0.8	4.8	none	--	--	--	18.4	25	--	--	--	--	--	--	--	
						6HK(0,1)6500506	4.4	1	19.2	18.4	25	24.0	25	--	--	--	--		
						6HK(0,1)6500806	7.1	1	30.7	18.4	25	38.3	40	--	--	--	--		
						6HK(0,1)6501006	8.8	1	38.3	18.4	25	47.9	50	--	--	--	--		
PC5E36	14.6	90.0	22.7	1.7	4.8	none	--	--	--	24.7	35	--	--	--	--	--	--	--	
						6HK(0,1)6500506	4.4	1	19.2	24.7	35	24.0	25	--	--	--	--		
						6HK(0,1)6500806	7.1	1	30.7	24.7	35	38.3	40	--	--	--	--		
						6HK(0,1)6501006	8.8	1	38.3	24.7	35	47.9	50	--	--	--	--		
						6HK16501506	13.2	2	57.5	24.7	35	24.0	25	47.9	50	--	--		
						6HK26501506	13.2	2	57.5	24.7	35	71.9	80	--	--	--	--		
PC5E48	18.3	138.0	28.6	1.7	6.8	none	--	1	--	31.4	45	--	--	--	--	--	--	--	
						6HK(0,1)6500506	4.4	1	19.2	31.4	45	24.0	25	--	--	--	--		
						6HK(0,1)6500806	7.1	1	30.7	31.4	45	38.3	40	--	--	--	--		
						6HK(0,1)6501006	8.8	1	38.3	31.4	45	47.9	50	--	--	--	--		
						6HK16501506	13.2	2	57.5	31.4	45	24.0	25	47.9	50	--	--		
						6HK16502006	17.6	2	76.7	31.4	45	47.9	50	47.9	50	--	--		
						6HK26501506	13.2	2	57.5	31.4	45	71.9	80	--	--	--	--		
						6HK26502006	17.6	2	76.7	31.4	45	95.8	100	--	--	--	--		
PC5E60	23.7	123.0	37.0	1.7	8.0	none	--	1	--	39.3	60	--	--	--	--	--	--	--	
						6HK(0,1)6500506	4.4	1	19.2	39.3	60	24.0	25	--	--	--	--		
						6HK(0,1)6500806	7.1	1	30.7	39.3	60	38.3	40	--	--	--	--		
						6HK(0,1)6501006	8.8	1	38.3	39.3	60	47.9	50	--	--	--	--		
						6HK16501506	13.2	2	57.5	39.3	60	24.0	25	47.9	50	--	--		
						6HK16502006	17.6	2	76.7	39.3	60	47.9	50	47.9	50	--	--		
						6HK16502506	22.0	2	95.8	39.3	60	47.9	50	47.9	50	24.0	25		
						6HK26501506	13.2	2	57.5	39.3	60	71.9	80	--	--	--	--		
						6HK26502006	17.6	2	76.7	39.3	60	95.8	100	--	--	--	--		
						6HK26502506	22.0	2	95.8	39.3	60	119.8	125	--	--	--	--		

Note:

- 230-1-60 indicates 230 V, single phase, 60 Hz.
- MCA indicates minimum circuit ampacity.
- MOP indicates maximum overcurrent protection device. This must be a HACR circuit breaker or time delay fuse.

Electric heat performance data for 208/230-1-60

Table 17: Electric heat performance data for 208/230-1-60

Electric heat kit model	Nominal kW at 240 V	Total heat				kW staging			
		kW		MBH		W1 only		W1 + W2	
		208 V	230 V	208 V	230 V	208 V	230 V	208 V	230 V
6HK(0,1)6500506	4.8	3.6	4.4	12.3	15.0	3.6	4.4	3.6	4.4
6HK(0,1)6500806	7.7	5.8	7.1	19.7	24.1	5.8	7.1	5.8	7.1
6HK(0,1)6501006	9.6	7.2	8.8	24.6	30.1	7.2	8.8	7.2	8.8
6HK(1,2)6501506	14.4	10.8	13.2	36.9	45.1	3.6	4.4	10.8	13.2
6HK(1,2)6502006	19.2	14.4	17.6	49.2	60.2	7.2	8.8	14.4	17.6
6HK(1,2)6502506	24.0	18.0	22.0	61.5	75.2	7.2	8.8	18.0	22.0

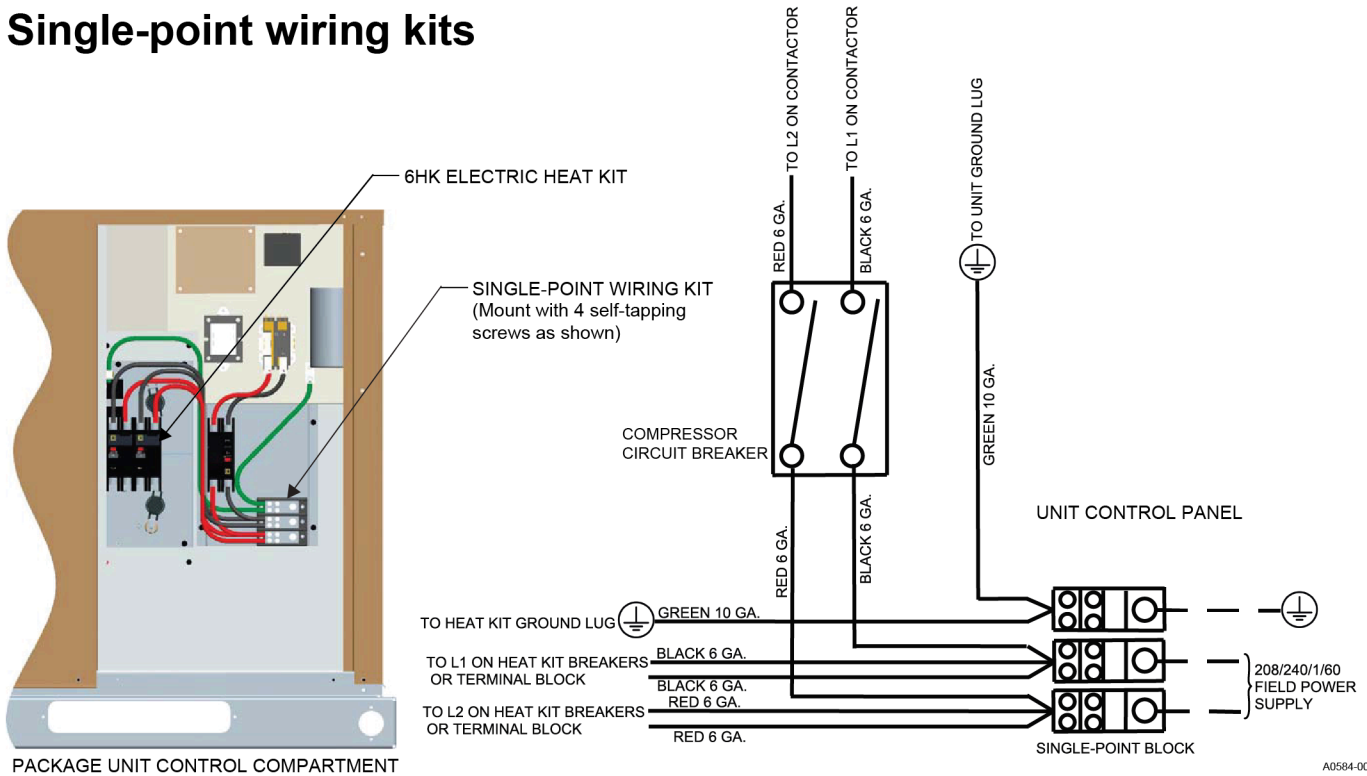
Note:

- 208/230-1-60 indicates 208 V/230 V, single phase, 60 Hz.
- For electric heat kit model numbers in this table that include (0,1), 0 indicates no service disconnect or 1 indicates with service disconnect.
- For electric heat kit model numbers in this table that include (1,2), 1 indicates with service disconnect and no breaker jumper bar or 2 indicates with service disconnect and breaker jumper bar.

Single-point wiring kit

Figure 5: Installing and connecting a single-point wiring kit

Single-point wiring kits



Note:

- For single circuit electric heat kits, remove the wires for the second circuit from the single-point block.
- The wire gauge varies depending on the specific electric heat kit model.

Table 18: Single-point wiring kit

Model	Single-point wiring kit part number	Breaker size (A)	Electric heat kit (kW)
PC5E24N00S2	S1-2SPWK006	25	up to 10
PC5E36N00S2	S1-2SPWK002	35	up to 15
PC5E48N00S2	S1-2SPWK003	45	up to 20
PC5E60N00S2	S1-2SPWK005	60	up to 20

Electric heat minimum supply air data

Table 19: Electric heat minimum supply air

Model	Minimum blower airflow setting for electric heat					
	Electric heat kit (kW)					
	5	8	10	15	20	25
PC5E24N00S2	D	C	B	—	—	—
PC5E36N00S2	D	D	D	B	—	—
PC5E48N00S2	D	D	C	C	B	—
PC5E60N00S2	D	C	C	B	B	B

Indoor blower specifications

Table 20: Indoor blower specifications

Model	Motor				
	HP	RPM	EFF	SF	Frame
PC5E24N00S2	1/2	Variable	0.8	1.0	48
PC5E36N00S2	1/2	Variable	0.8	1.0	48
PC5E48N00S2	3/4	Variable	0.8	1.0	48
PC5E60N00S2	1	Variable	0.8	1.0	48

Airflow performance data for side duct application

Table 21: Airflow cooling performance data for side duct application

Airflow settings		High and low stage cooling (CFM) by PC5E unit model							
Cool	Adjust	PC5E24N00S2		PC5E36N00S2		PC5E48N00S2		PC5E60N00S2	
		High cool	Low cool	High cool	Low cool	High cool	Low cool	High cool	Low cool
A	A	800	550	1150	750	1610	1100	1800	1250
A	B	880	610	1270	830	1770	1210	1980	1380
A	C	720	500	1040	680	1450	990	1620	1130
B	A	880	610	1270	830	1770	1210	1980	1380
B	B	970	670	1400	910	1950	1330	2180	1520
B	C	790	550	1140	750	1590	1090	1780	1240
C	A	720	500	1040	680	1450	990	1620	1130
C	B	790	550	1140	750	1600	1090	1780	1240
C	C	650	450	940	610	1310	890	1460	1020
D	A	640	440	920	600	1290	880	1440	1000
D	B	700	480	1010	660	1420	970	1580	1100
D	C	580	400	830	540	1160	790	1300	900

Table 22: Airflow heating performance data for side duct application

Airflow settings		High and low stage electric heating (CFM) by PC5E unit model							
Heat	Adjust	PC5E24N00S2		PC5E36N00S2		PC5E48N00S2		PC5E60N00S2	
		High heat	Low heat	High heat	Low heat	High heat	Low heat	High heat	Low heat
A	Any	900	900	1250	1020	1750	1150	1910	1420
B	Any	800	800	1150	920	1420	820	1670	1200
C	Any	550	550	1070	680	1260	720	1560	650
D	Any	380	380	980	620	1060	550	1420	450

► **Important:** It is important to be aware of the following about the data provided in the airflow cooling and heating performance tables:

- Airflow is tested with dry coil conditions, without air filters, at 230 V.
- All CFMs are shown at 0.5 in. W.C. external static pressure. PC5E units have variable speed motors that automatically adjust to provide constant CFM from 0.0 in. W.C. to 0.6 in. W.C. external static pressure. From 0.6 in. W.C. to 1.0 in. W.C. external static pressure, CFM is typically reduced by 2% per 0.1 in. W.C. increase in static. Operation on duct systems with greater than 1.0 in. W.C. external static pressure is not recommended.
- A brushless DC high-efficiency standard ECM blower motor is used for all indoor blower assemblies
- Minimal variations in airflow performance data result from operating at 208 V. The data in the tables can be used in those cases.
- Heating applications are tested at 0.50 in. W.C. external static pressure. Cooling applications are tested according to AHRI Standard 210/240.
- The differences between side duct airflows and bottom duct airflows are insignificant.

Additional static resistance data

Table 23: Additional static resistance

Model	CFM	Wet indoor coil	Economizer	Filter frame kit
PC5E24N00S2 - 2 ton	500	0.01	0.00	0.01
	600	0.01	0.00	0.02
	700	0.01	0.00	0.04
	800	0.02	0.01	0.06
	900	0.03	0.01	0.08
	1000	0.04	0.01	0.10
	1100	0.05	0.01	0.13
	1200	0.06	0.02	0.16
PC5E36N00S2 - 3 ton	700	0.01	0.00	0.04
	800	0.02	0.01	0.06
	900	0.03	0.01	0.08
	1000	0.04	0.01	0.10
	1100	0.05	0.01	0.13
	1200	0.06	0.02	0.16
	1300	0.07	0.03	0.17
	1400	0.08	0.04	0.18
PC5E48N00S2 - 4 ton	1100	0.02	0.02	0.04
	1200	0.03	0.02	0.04
	1300	0.04	0.02	0.05
	1400	0.05	0.03	0.05
	1500	0.06	0.04	0.06
	1600	0.07	0.04	0.07
	1700	0.07	0.04	0.08
	1800	0.08	0.04	0.09
	1900	0.09	0.05	0.10
	2000	0.09	0.05	0.11
PC5E60N00S2 - 5 ton	1100	0.02	0.02	0.04
	1200	0.03	0.02	0.04
	1300	0.04	0.02	0.05
	1400	0.05	0.03	0.05
	1500	0.06	0.04	0.06
	1600	0.07	0.04	0.07
	1700	0.07	0.04	0.08
	1800	0.08	0.04	0.09
	1900	0.09	0.05	0.10
	2000	0.09	0.05	0.11

① Note:

- The pressure drop through the economizer is greater for 100% outdoor air than for 100% return air. If the resistance of the return air duct is less than 0.25 in. W.C., the unit delivers less CFM during full economizer operation.
- The filter pressure drop is based on standard filter media tested at velocities not exceeding 300 ft/min.

Bottom duct dimensions

Figure 6: Bottom duct dimensions (in.)

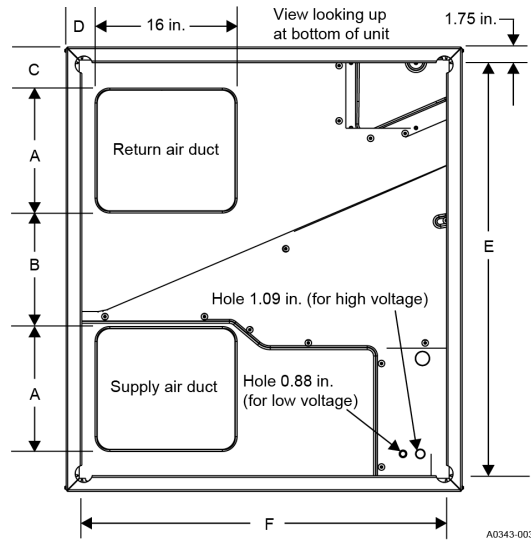


Table 24: Bottom duct dimensions

Model	A (in.)	B (in.)	C (in.)	D (in.)	E (in.)	F (in.)
PC5E24 and PC5E36	10	21.5	5	4.5	47.5	32
PC5E48 and PC5E60	14	13.5	5	3.5	47.5	42

Rear duct dimensions

Figure 7: Rear duct dimensions (in.)

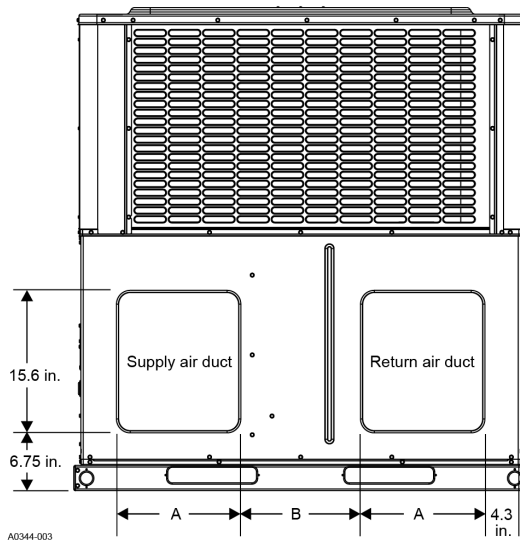


Table 25: Rear duct dimensions

Model	A (in.)	B (in.)
PC5E24 and PC5E36	9.6	22
PC5E48 and PC5E60	13.6	14

Note: See Figure 3 for side hole sizes of electrical lines.

Typical applications

Figure 8: Typical duct applications for unit

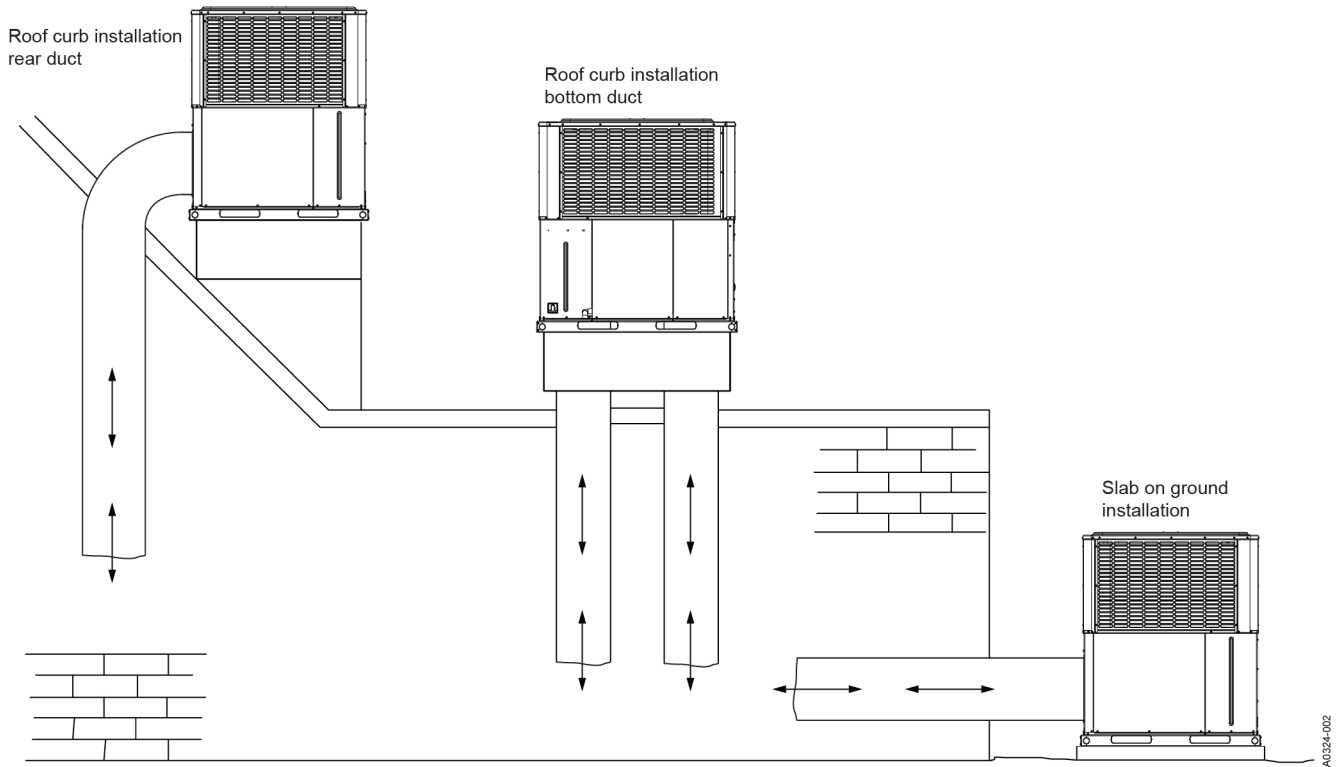


Figure 9: Typical ground installation on slab for unit

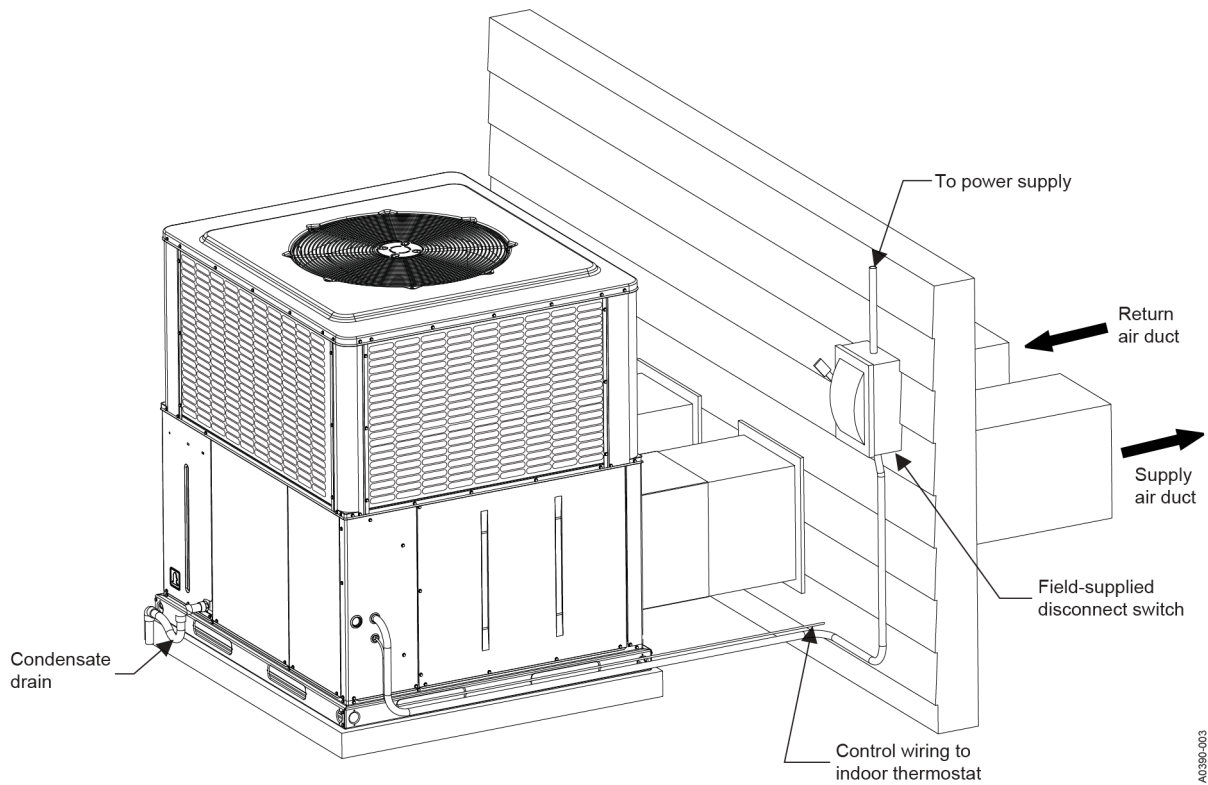
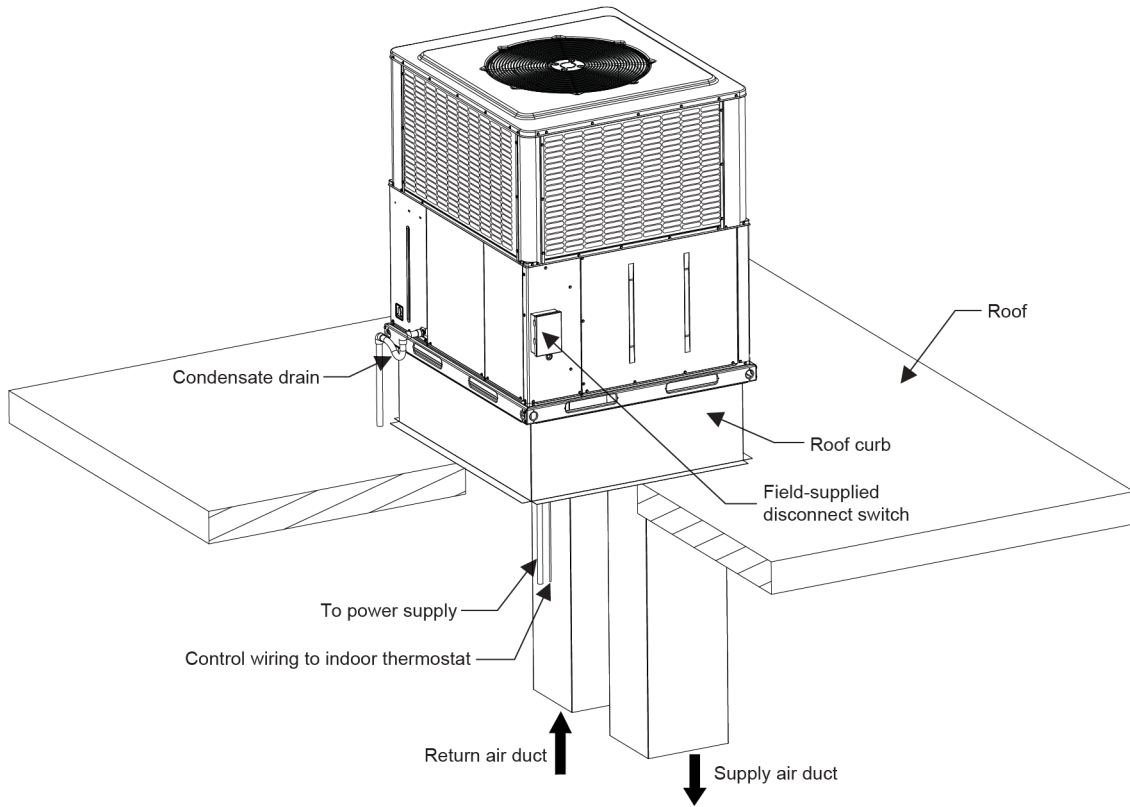


Figure 10: Typical installation on roof curb for unit



Third-party trademarks

Third-Party Trademarks Notice: For information about third-party trademarks, refer to the relevant company websites.