



Revolv
PRODUCT CATALOG

A2L E7ED Downflow Electric Furnaces



UNIQUE MANUFACTURED HOUSING DESIGN

With a robust, 20" W, fully-insulated cabinet to fit the classic MH footprint for replacement opportunities. The E7 is the most versatile, future-friendly, HUD-compliant, MH electric furnace available.

4-TON AC-READY ECM BLOWER

With 16 dip-switch speed-settings and factory or field-installed 31 1/2" H coil box to support increasing coil sizes needed to meet increasing DOE minimum-efficiencies. (High-static blower kit #1044062 also available).

MODERN CONTROLS

Include quiet heater relays and an integrated control board, eliminating the need for an additional time-delay relay for split systems.

NEW & REPLACEMENT APPLICATION ACCESSORIES

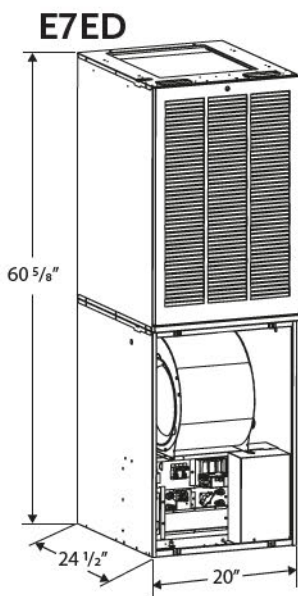
Save the hassle of sourcing materials, field-fabrication, and repeat supply-house trips and depend on Warranty and Support handled directly by Style Crest's dedicated HVAC Team, offering the most competitive warranty coverage and service in the Manufactured Housing industry.

ACCESSORIES ALSO AVAILABLE



Item #	Model	Heating Output (kW)	Item Dimensions	Package Weight	Coil Box	Position-Application	Supply Air	Return Air
			Packaging Dimensions		Coil Box Height			
101100028	E7ED-B010K1	9.2	24-1/2"D x 20"W x 60-5/8"H 26-1/2"D x 21"W x 62"H	112 lbs	Yes 31-1/2"H	Downflow	Bottom, Ducted	Front, Open (Top-Ducted, Optional)
101100029	E7ED-B012K1	10.7	24-1/2"D x 20"W x 60-5/8"H 26-1/2"D x 21"W x 62"H	112 lbs	Yes 31-1/2"H	Downflow	Bottom, Ducted	Front, Open (Top-Ducted, Optional)
101100030	E7ED-B015K1	13.8	24-1/2"D x 20"W x 60-5/8"H 26-1/2"D x 21"W x 62"H	112 lbs	Yes 31-1/2"H	Downflow	Bottom, Ducted	Front, Open (Top-Ducted, Optional)
101100031	E7ED-B017K1	14.9	24-1/2"D x 20"W x 60-5/8"H 26-1/2"D x 21"W x 62"H	112 lbs	Yes 31-1/2"H	Downflow	Bottom, Ducted	Front, Open (Top-Ducted, Optional)
101100032	E7ED-B020K1	18.4	24-1/2"D x 20"W x 60-5/8"H 26-1/2"D x 21"W x 62"H	112 lbs	Yes 31-1/2"H	Downflow	Bottom, Ducted	Front, Open (Top-Ducted, Optional)
101100033	E7ED-B023K1	19.8	24-1/2"D x 20"W x 60-5/8"H 26-1/2"D x 21"W x 62"H	112 lbs	Yes 31-1/2"H	Downflow	Bottom, Ducted	Front, Open (Top-Ducted, Optional)

Item #	Model	Heater Banks	Blower Specifications	Supply Circuit(s):	MCA Single	MOP Single
				Total Current	Dual Circuit A Dual Circuit B	Dual Circuit A Dual Circuit B
101100028	E7ED-B010K1	2	ECM, 1/2hp, 16spd, 4T	Single: 43.7 A	54.7 A	60 A
101100029	E7ED-B012K1	2	ECM, 1/2hp, 16spd, 4T	Single: 50.1 A Dual-A: 27.0 A Dual-B: 23.2 A	62.6 A 33.7 A 28.9 A	70 A 35 A 30 A
101100030	E7ED-B015K1	3	ECM, 1/2hp, 16spd, 4T	Single: 63.7 A Dual-A: 43.7 A Dual-B: 20.0 A	79.6 A 54.7 A 25.0 A	80 A 60 A 25 A
101100031	E7ED-B017K1	3	ECM, 1/2hp, 16spd, 4T	Single: 68.5 A Dual-A: 43.1 A Dual-B: 25.4 A	85.6 A 53.9 A 31.7 A	90 A 60 A 35 A
101100032	E7ED-B020K1	4	ECM, 1/2hp, 16spd, 4T	Single: 83.7 A Dual-A: 43.7 A Dual-B: 39.9 A	104.6 A 54.7 A 49.9 A	110 A 60 A 50 A
101100033	E7ED-B023K1	4	ECM, 1/2hp, 16spd, 4T	Single: 90.1 A Dual-A: 43.7 A Dual-B: 46.3 A	112.6 A 54.7 A 57.9 A	125 A 60 A



A2L E7EU Upflow Electric Furnaces



UNIQUE MANUFACTURED HOUSING DESIGN

With a robust, 20" W, fully-insulated cabinet to fit the classic MH footprint for replacement opportunities. The E7 is the most versatile, future-friendly, HUD-compliant, MH electric furnace available.

4-TON AC-READY ECM BLOWER

With 16 dip-switch speed-settings and factory or field-installed 31 1/2" H coil box to support increasing coil sizes needed to meet increasing DOE minimum-efficiencies. (High-static blower kit #1044062 also available).

MODERN CONTROLS

Include quiet heater relays and an integrated control board, eliminating the need for an additional time-delay relay for split systems.

NEW & REPLACEMENT APPLICATION ACCESSORIES

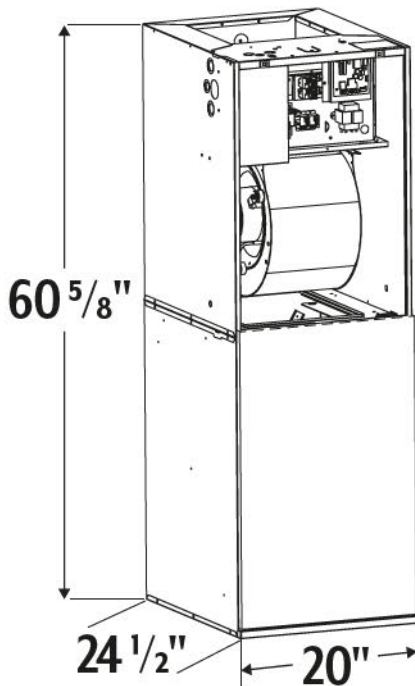
Save the hassle of sourcing materials, field-fabrication, and repeat supply-house trips and depend on Warranty and Support handled directly by Style Crest's dedicated HVAC Team, offering the most competitive warranty coverage and service in the Manufactured Housing industry.

ACCESSORIES ALSO AVAILABLE



Item #	Model	Heating Output (kW)	Item Dimensions	Package Weight	Coil Box	Position-Application	Supply Air	Return Air
			Packaging Dimensions		Coil Box Height			
101100040	E7EU-B010K1	9.2	24-1/2"D x 20"W x 60-5/8"H 26-1/2"D x 21"W x 62"H	112 lbs	Yes 31-1/2"H	Upflow	Top, Ducted	Bottom, Ducted
101100041	E7EU-B012K1	10.7	24-1/2"D x 20"W x 60-5/8"H 26-1/2"D x 21"W x 62"H	112 lbs	Yes 31-1/2"H	Upflow	Top, Ducted	Bottom, Ducted
101100042	E7EU-B015K1	13.8	24-1/2"D x 20"W x 60-5/8"H 26-1/2"D x 21"W x 62"H	112 lbs	Yes 31-1/2"H	Upflow	Top, Ducted	Bottom, Ducted
101100043	E7EU-B017K1	14.9	24-1/2"D x 20"W x 60-5/8"H 26-1/2"D x 21"W x 62"H	112 lbs	Yes 31-1/2"H	Upflow	Top, Ducted	Bottom, Ducted
101100044	E7EU-B020K1	18.4	24-1/2"D x 20"W x 60-5/8"H 26-1/2"D x 21"W x 62"H	112 lbs	Yes 31-1/2"H	Upflow	Top, Ducted	Bottom, Ducted
101100045	E7EU-B023K1	19.8	24-1/2"D x 20"W x 60-5/8"H 26-1/2"D x 21"W x 62"H	112 lbs	Yes 31-1/2"H	Upflow	Top, Ducted	Bottom, Ducted

Item #	Model	Heater Banks	Blower Specifications	Supply Circuit(s):	MCA Single	MOP Single
				Total Current	Dual Circuit A Dual Circuit B	Dual Circuit A Dual Circuit B
101100040	E7EU-B010K1	2	ECM, 1/2hp, 16spd, 4T	Single: 43.7 A	54.7 A	60 A
101100041	E7EU-B012K1	2	ECM, 1/2hp, 16spd, 4T	Single: 50.1 A Dual-A: 27.0 A Dual-B: 23.2 A	62.6 A 33.7 A 28.9 A	70 A 35 A 30 A
101100042	E7EU-B015K1	3	ECM, 1/2hp, 16spd, 4T	Single: 63.7 A Dual-A: 43.7 A Dual-B: 20.0 A	79.6 A 54.7 A 25.0 A	80 A 60 A 25 A
101100043	E7EU-B017K1	3	ECM, 1/2hp, 16spd, 4T	Single: 68.5 A Dual-A: 43.1 A Dual-B: 25.4 A	85.6 A 53.9 A 31.7 A	90 A 60 A 35 A
101100044	E7EU-B020K1	4	ECM, 1/2hp, 16spd, 4T	Single: 83.7 A Dual-A: 43.7 A Dual-B: 39.9 A	104.6 A 54.7 A 49.9 A	110 A 60 A 50 A
101100045	E7EU-B023K1	4	ECM, 1/2hp, 16spd, 4T	Single: 90.1 A Dual-A: 43.7 A Dual-B: 46.3 A	112.6 A 54.7 A 57.9 A	125 A 60 A 60 A



A2L E7EM Multi-Poise (Up/Downflow) Electric Furnaces



UNIQUE MANUFACTURED HOUSING DESIGN

With a robust, 20" W, fully-insulated cabinet to fit the classic MH footprint for replacement opportunities. The E7 is the most versatile, future-friendly, HUD-compliant, MH electric furnace available.

4-TON AC-READY ECM BLOWER

With 16 dip-switch speed-settings and factory or field-installed 31 1/2" H coil box to support increasing coil sizes needed to meet increasing DOE minimum-efficiencies. (High-static blower kit #1044062 also available).

MODERN CONTROLS

Include quiet heater relays and an integrated control board, eliminating the need for an additional time-delay relay for split systems.

NEW & REPLACEMENT APPLICATION ACCESSORIES

Save the hassle of sourcing materials, field-fabrication, and repeat supply-house trips and depend on Warranty and Support handled directly by Style Crest's dedicated HVAC Team, offering the most competitive warranty coverage and service in the Manufactured Housing industry.

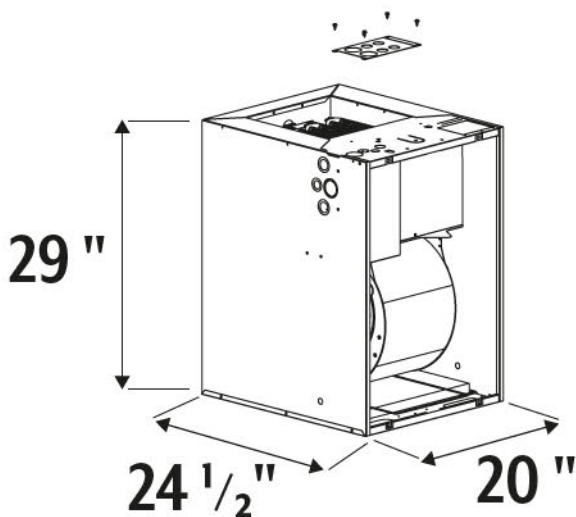
ACCESSORIES ALSO AVAILABLE



Item #	Model	Heating Output (kW)	Item Dimensions	Package Weight	Coil Box	Position-Application	Supply Air	Return Air
			Packaging Dimensions					
101100034	E7EM-B010K1	9.2	24-1/2"D x 20"W x 29"H	74.5 lbs	None ¹	Downflow/Upflow	Field-Configured	Field-Configured
101100035	E7EM-B012K1	10.7	24-1/2"D x 20"W x 29"H	75 lbs	None ¹	Downflow/Upflow	Field-Configured	Field-Configured
101100036	E7EM-B015K1	13.8	24-1/2"D x 20"W x 29"H	73 lbs	None ¹	Downflow/Upflow	Field-Configured	Field-Configured
101100037	E7EM-B017K1	14.9	24-1/2"D x 20"W x 29"H	76.5 lbs	None ¹	Downflow/Upflow	Field-Configured	Field-Configured
101100038	E7EM-B020K1	18.4	24-1/2"D x 20"W x 29"H	76.5 lbs	None ¹	Downflow/Upflow	Field-Configured	Field-Configured
101100039	E7EM-B023K1	19.8	24-1/2"D x 20"W x 29"H	76.5 lbs	None ¹	Downflow/Upflow	Field-Configured	Field-Configured

Item #	Model	Heater Banks	Blower Specifications	Supply Circuit	MCA	MOP
					Dual Circuit A Dual Circuit B	Dual Circuit A Dual Circuit B
101100034	E7EM-B010K1	2	ECM, 1/2hp, 16spd, 4T	Single: 43.7 A	54.7 A	60 A
101100035	E7EM-B012K1	2	ECM, 1/2hp, 16spd, 4T	Single: 50.1 A Dual-A: 27.0 A Dual-B: 23.2 A	62.6 A 33.7 A 28.9 A	70 A 35 A 30 A
101100036	E7EM-B015K1	3	ECM, 1/2hp, 16spd, 4T	Single: 63.7 A Dual-A: 43.7 A Dual-B: 20.0 A	79.6 A 54.7 A 25.0 A	80 A 60 A 25 A
101100037	E7EM-B017K1	3	ECM, 1/2hp, 16spd, 4T	Single: 68.5 A Dual-A: 43.1 A Dual-B: 25.4 A	85.6 A 53.9 A 31.7 A	90 A 60 A 35 A
101100038	E7EM-B020K1	4	ECM, 1/2hp, 16spd, 4T	Single: 83.7 A Dual-A: 43.7 A Dual-B: 39.9 A	104.6 A 54.7 A 49.9 A	110 A 60 A 50 A
101100039	E7EM-B023K1	4	ECM, 1/2hp, 16spd, 4T	Single: 90.1 A Dual-A: 43.7 A Dual-B: 46.3 A	112.6 A 54.7 A 57.9 A	125 A 60 A 60 A

1) If adding a central air split system, you should also order a separate field-installed coil box, listed with the Furnace Accessories products.



A2L MG2S 96% AFUE 2-Stage MH Gas Furnaces



HIGHEST-EFFICIENCY MH GAS FURNACE

Uniquely designed to be HUD-compliant with a robust 19 7/8"W, fully-insulated cabinet to fit the traditional MH furnace footprint.

2-STAGE GAS VALVE

Allows for true, low-fire furnace operation to produce as little as half of the rated full-capacity, preventing short cycling in smaller spaces and reducing energy consumption.

AC-READY OPTIONS

Include a factory-installed 20"H coil box and an ECM blower with 16 dip-switch speed-settings, for up to 4-Tons nominal cooling. Refer to Split System sell sheets for AHRI-rated coil-fit matches.

SIMPLE LP CONVERSION

With an easy-access gas valve regulator and manifold assembly; LP components are factory-supplied with the unit.

DEPENDABLE WARRANTY AND SUPPORT

Handled directly by Style Crest's dedicated HVAC Team, offering the most competitive warranty coverage and service in the Manufactured Housing industry.

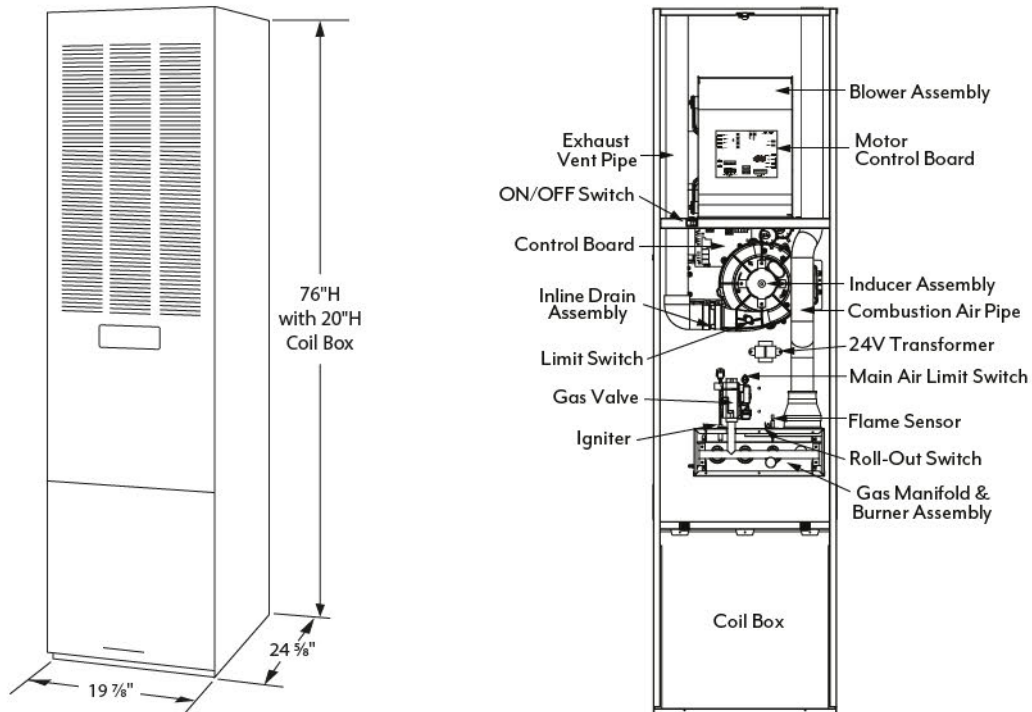
ACCESSORIES ALSO AVAILABLE



Item #	Model	Rated Heating	Item Dimensions	Package Weight	Coil Box	Position-Application	Supply Air	Return Air
		Input	Input		Coil Box Height			
		Output	Packaging Dimensions					
101100062	MG2S-B045F2ABM1	45 MBH	24-5/8"D x 19-7/8"W x 76"H	179 lbs	Yes	Downflow	Bottom, Ducted	Front, Open
		43.2 MBH	26-1/2"D x 21-1/2"W x 78"H		20"H			
101100063 ¹	MG2S-B045T2ABM1	45 MBH	24-5/8"D x 19-7/8"W x 76"H	177 lbs	Yes	Downflow	Bottom, Ducted	Top, Ducted
		43.2 MBH	26-1/2"D x 21-1/2"W x 78"H		20"H			
101100064	MG2S-B060F2ABM1	60 MBH	24-5/8"D x 19-7/8"W x 76"H	178 lbs	Yes	Downflow	Bottom, Ducted	Front, Open
		57.6 MBH	26-1/2"D x 21-1/2"W x 78"H		20"H			
101100065 ¹	MG2S-B060T2ABM1	60 MBH	24-5/8"D x 19-7/8"W x 76"H	177 lbs	Yes	Downflow	Bottom, Ducted	Top, Ducted
		57.6 MBH	26-1/2"D x 21-1/2"W x 78"H		20"H			
101100066	MG2S-B072F2ABM1	72 MBH	24-5/8"D x 19-7/8"W x 76"H	186 lbs	Yes	Downflow	Bottom, Ducted	Front, Open
		69.1 MBH	26-1/2"D x 21-1/2"W x 78"H		20"H			
101100067 ¹	MG2S-B072T2ABM1	72 MBH	24-5/8"D x 19-7/8"W x 76"H	184 lbs	Yes	Downflow	Bottom, Ducted	Top, Ducted
		69.1 MBH	26-1/2"D x 21-1/2"W x 78"H		20"H			

Item #	Model	Low-fire Input	Blower Specifications	MOP
		Low-fire Output		
101100062	MG2S-B045F2ABM1	29 MBH	ECM, 3/4hp, 16spd, 4T	15 A
		27.8 MBH		
101100063 ¹	MG2S-B045T2ABM1	29 MBH	ECM, 3/4hp, 16spd, 4T	15 A
		27.8 MBH		
101100064	MG2S-B060F2ABM1	39 MBH	ECM, 3/4hp, 16spd, 4T	15 A
		37.4 MBH		
101100065 ¹	MG2S-B060T2ABM1	39 MBH	ECM, 3/4hp, 16spd, 4T	15 A
		37.4 MBH		
101100066	MG2S-B072F2ABM1	47 MBH	ECM, 3/4hp, 16spd, 4T	15 A
		45.1 MBH		
101100067 ¹	MG2S-B072T2ABM1	47 MBH	ECM, 3/4hp, 16spd, 4T	15 A
		45.1 MBH		

¹ These items are available as drop-ship only (not stocked), where a non-cancellable order minimum and longer lead-time may apply.



A2L MG2R 95% AFUE High-Efficiency MH Gas Furnaces



UNIQUE MANUFACTURED HOUSING DESIGN

With a robust, 19-7/8" W, fully-insulated cabinet to fit the standard MH footprint, it's the premiere high-efficiency, HUD-compliant, gas furnace.

AC-READY 4-TON ECM BLOWER

With 5-speed taps, with/without a factory-installed 27-1/4" H coil box; where MG2R*A allows for a field-installed 20" H or 26" H coil box to suit your capacity, height-limit, or stocking needs.

QUICK LP CONVERSION

With an easy-access gas valve regulator and manifold, using the factory-provided LP orifices included in the unit-literature kit.

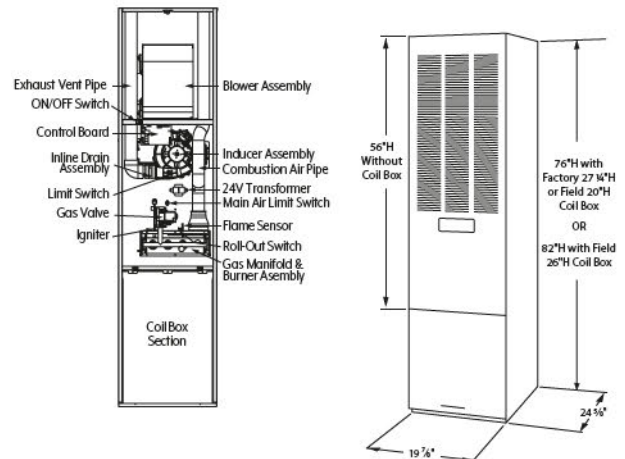
CATEGORY IV VENTING APPROVAL

Allows for vertical or horizontal direct venting using an approved non-metallic two-pipe system, or a concentric termination kit for application flexibility.

DEPENDABLE WARRANTY AND SUPPORT

Handled directly by Style Crest's dedicated HVAC Team, offering the most competitive warranty coverage and service in the Manufactured Housing industry.

ACCESSORIES ALSO AVAILABLE



Item #	Model	Rated Heating	Item Dimensions	Package Weight	Coil Box	Position-Application	Supply Air	Return Air
		Input	Packaging Dimensions		Coil Box Height			
101100050	MG2R-B045F1AAM1	45 MBH	24-5/8"D x 19-7/8"W x 56"H	154 lbs	None ¹	Downflow	Bottom, Ducted	Front, Open
		43 MBH	26-1/2"D x 21-5/16"W x 58-1/8"H					
101100051	MG2R-B045F1ACM1	45 MBH	24-5/8"D x 19-7/8"W x 76"H	174 lbs	Yes	Downflow	Bottom, Ducted	Front, Open
		43 MBH	26-1/2"D x 21-5/16"W x 78-1/8"H		27-1/4"H			
101100052 ³	MG2R-B045T1AAM1	45 MBH	24-5/8"D x 19-7/8"W x 56"H	152 lbs	None ¹	Downflow	Bottom, Ducted	Top, Ducted
		43 MBH	26-1/2"D x 21-5/16"W x 58-1/8"H					
101100053 ³	MG2R-B045T1ACM1	45 MBH	24-5/8"D x 19-7/8"W x 76"H	172 lbs	Yes	Downflow	Bottom, Ducted	Top, Ducted
		43 MBH	26-1/2"D x 21-5/16"W x 78-1/8"H		27-1/4"H			
101100054	MG2R-B060F1AAM1	60 MBH	24-5/8"D x 19-7/8"W x 56"H	154 lbs	None ¹	Downflow	Bottom, Ducted	Front, Open
		57 MBH	26-1/2"D x 21-5/16"W x 58-1/8"H					
101100055	MG2R-B060F1ACM1	60 MBH	24-5/8"D x 19-7/8"W x 76"H	176 lbs	Yes	Downflow	Bottom, Ducted	Front, Open
		57 MBH	26-1/2"D x 21-5/16"W x 78-1/8"H		27-1/4"H			
101100056 ³	MG2R-B060T1AAM1	60 MBH	24-5/8"D x 19-7/8"W x 56"H	152 lbs	None ¹	Downflow	Bottom, Ducted	Top, Ducted
		57 MBH	26-1/2"D x 21-5/16"W x 58-1/8"H					
101100057 ³	MG2R-B060T1ACM1	60 MBH	24-5/8"D x 19-7/8"W x 76"H	172 lbs	Yes	Downflow	Bottom, Ducted	Top, Ducted
		57 MBH	26-1/2"D x 21-5/16"W x 78-1/8"H		27-1/4"H			
101100058	MG2R-B072F1AAM1	72 MBH	24-5/8"D x 19-7/8"W x 56"H	160 lbs	None ¹	Downflow	Bottom, Ducted	Front, Open
		68 MBH	26-1/2"D x 21-5/16"W x 58-1/8"H					
101100059	MG2R-B072F1ACM1	72 MBH	24-5/8"D x 19-7/8"W x 76"H	180 lbs	Yes	Downflow	Bottom, Ducted	Front, Open
		68 MBH	26-1/2"D x 21-5/16"W x 78-1/8"H		27-1/4"H			
101100060 ³	MG2R-B072T1AAM1	72 MBH	24-5/8"D x 19-7/8"W x 56"H	159 lbs	None ¹	Downflow	Bottom, Ducted	Top, Ducted
		68 MBH	26-1/2"D x 21-5/16"W x 58-1/8"H					
101100061 ³	MG2R-B072T1ACM1	72 MBH	24-5/8"D x 19-7/8"W x 76"H	178 lbs	Yes	Downflow	Bottom, Ducted	Top, Ducted
		68 MBH	26-1/2"D x 21-5/16"W x 78-1/8"H		27-1/4"H			

Item #	Model	NG Orifice ²	Orifice Qty.	Blower Specifications	MCA	MOP
		LP Orifice ²				
101100050	MG2R-B045F1AAM1	49	3	ECM, 3/4hp, 5spd, 4T	13.44	20 A
		57				
101100051	MG2R-B045F1ACM1	49	3	ECM, 3/4hp, 5spd, 4T	13.44	20 A
		57				
101100052 ³	MG2R-B045T1AAM1	49	3	ECM, 3/4hp, 5spd, 4T	13.44	20 A
		57				
101100053 ³	MG2R-B045T1ACM1	49	3	ECM, 3/4hp, 5spd, 4T	13.44	20 A
		57				
101100054	MG2R-B060F1AAM1	45	3	ECM, 3/4hp, 5spd, 4T	13.44	20 A
		55				
101100055	MG2R-B060F1ACM1	45	3	ECM, 3/4hp, 5spd, 4T	13.44	20 A
		55				
101100056 ³	MG2R-B060T1AAM1	45	3	ECM, 3/4hp, 5spd, 4T	13.44	20 A
		55				
101100057 ³	MG2R-B060T1ACM1	45	3	ECM, 3/4hp, 5spd, 4T	13.44	20 A
		55				
101100058	MG2R-B072F1AAM1	47	4	ECM, 3/4hp, 5spd, 4T	13.44	20 A
		56				
101100059	MG2R-B072F1ACM1	47	4	ECM, 3/4hp, 5spd, 4T	13.44	20 A
		56				
101100060 ³	MG2R-B072T1AAM1	47	4	ECM, 3/4hp, 5spd, 4T	13.44	20 A
		56				
101100061 ³	MG2R-B072T1ACM1	47	4	ECM, 3/4hp, 5spd, 4T	13.44	20 A
		56				

1) If adding a central air split system, you must also order a separate field-installed coil box, listed in the Application Accessories table below.

2) Orifice will vary with altitude; consult the unit installation instructions for correct orifice selection for your application and altitude.

3) These items are available as drop-ship only (not stocked), where a non-cancellable order minimum and longer lead-time may apply.

A2L MG1E 80% AFUE MH Gas Furnaces



UNIQUE MANUFACTURED HOUSING DESIGN

With a robust, 20"W, fully-insulated cabinet to fit the standard MH footprint; the MG1E is our most economical, HUD-compliant, gas furnace.

AC-READY 4-TON ECM BLOWER

With 5-speed taps, with/without a factory-installed 20"H coil box; allowing for a field-installed 20"/26"H coil box to suit your capacity and access needs. Refer to Split System sell sheets for AHRI-rated coil-fit matches.

QUICK LP CONVERSION

With an easy-access gas valve regulator and manifold assembly; using the factory-supplied LP orifice, included with the unit.

NUMEROUS APPLICATION ACCESSORIES

Save the hassle of field-fabrication, sourcing and repeat supply-house trips; on new or replacement jobs.

DEPENDABLE WARRANTY AND SUPPORT

Handled directly by Style Crest's dedicated HVAC Team, offering the most competitive warranty coverage and service in the Manufactured Housing industry.

ACCESSORIES ALSO AVAILABLE

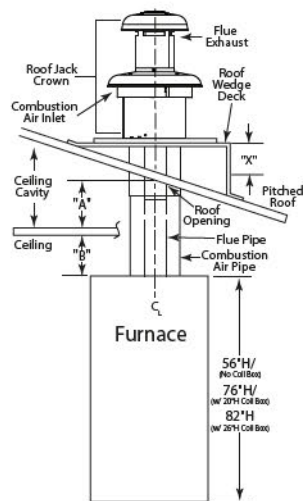
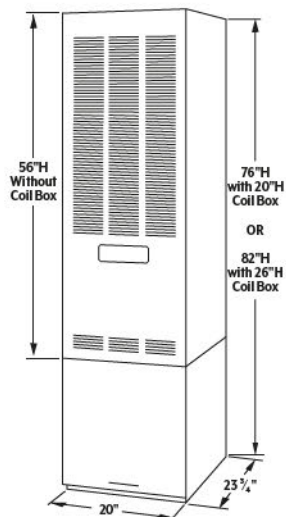


Item #	Model	AHRI Cert. #	Rated Heating	Item Dimensions	Package Weight	Coil Box	Position-Application	Supply Air	Return Air
			Input	Packaging Dimensions		Coil Box Height			
10110068	MG1E-B056F1AAM1	216031633	56 MBH	23-3/4"D x 19-3/4"W x 56"H	156 lbs	None ¹	Downflow	Bottom, Ducted	Front, Open
			45 MBH	26-1/2"D x 21-5/16"W x 58-1/8"H					
10110069	MG1E-B056F1ABM1	216031633	56 MBH	23-3/4"D x 19-3/4"W x 76"H	168 lbs	Yes	Downflow	Bottom, Ducted	Front, Open
			45 MBH	26-1/2"D x 21-5/16"W x 78-1/8"H		20"H			
10110070	MG1E-B070F1AAM1	216031634	70 MBH	23-3/4"D x 19-3/4"W x 56"H	157 lbs	None ¹	Downflow	Bottom, Ducted	Front, Open
			57 MBH	26-1/2"D x 21-5/16"W x 58-1/8"H					
10110071	MG1E-B070F1ABM1	216031634	70 MBH	23-3/4"D x 19-3/4"W x 76"H	169 lbs	Yes	Downflow	Bottom, Ducted	Front, Open
			57 MBH	26-1/2"D x 21-5/16"W x 78-1/8"H		20"H			
10110072	MG1E-B077F1AAM1	216031635	77 MBH	23-3/4"D x 19-3/4"W x 56"H	156 lbs	None ¹	Downflow	Bottom, Ducted	Front, Open
			62 MBH	26-1/2"D x 21-5/16"W x 58-1/8"H					
10110073	MG1E-B077F1ABM1	216031635	77 MBH	23-3/4"D x 19-3/4"W x 76"H	174 lbs	Yes	Downflow	Bottom, Ducted	Front, Open
			62 MBH	26-1/2"D x 21-5/16"W x 78-1/8"H		20"H			
10110074	MG1E-B090F1AAM1	216031636	85 MBH	23-3/4"D x 19-3/4"W x 56"H	156 lbs	None ¹	Downflow	Bottom, Ducted	Front, Open
			67 MBH	26-1/2"D x 21-5/16"W x 58-1/8"H					
10110075	MG1E-B090F1ABM1	216031636	85 MBH	23-3/4"D x 19-3/4"W x 76"H	171 lbs	Yes	Downflow	Bottom, Ducted	Front, Open
			67 MBH	26-1/2"D x 21-5/16"W x 78-1/8"H		20"H			

Item #	Model	NG Orifice ²	Orifice Qty.	Blower Specifications	Rated Heating	MCA	MOP
		LP Orifice ²			Input		
10110068	MG1E-B056F1AAM1	29	1	ECM, 3/4hp, 5spd, 4T	56 MBH	11.8	15 A
		45			45 MBH		
10110069	MG1E-B056F1ABM1	29	1	ECM, 3/4hp, 5spd, 4T	56 MBH	11.8	15 A
		45			45 MBH		
10110070	MG1E-B070F1AAM1	24	1	ECM, 3/4hp, 5spd, 4T	70 MBH	11.8	15 A
		42			57 MBH		
10110071	MG1E-B070F1ABM1	24	1	ECM, 3/4hp, 5spd, 4T	70 MBH	11.8	15 A
		42			57 MBH		
10110072	MG1E-B077F1AAM1	21	1	ECM, 3/4hp, 5spd, 4T	77 MBH	11.8	15 A
		40			62 MBH		
10110073	MG1E-B077F1ABM1	21	1	ECM, 3/4hp, 5spd, 4T	77 MBH	11.8	15 A
		40			62 MBH		
10110074	MG1E-B090F1AAM1	17	1	ECM, 3/4hp, 5spd, 4T	85 MBH	11.8	15 A
		36			67 MBH		
10110075	MG1E-B090F1ABM1	17	1	ECM, 3/4hp, 5spd, 4T	85 MBH	11.8	15 A
		36			67 MBH		

1) If adding a central air split system, you must also order a separate field-installed coil box, listed in the Application Accessories table below.

2) Orifice will vary with altitude; consult the unit installation instructions for correct orifice selection for your application and altitude.



CMF3 80% AFUE Replacement MH Gas Furnace



18" WIDE CABINET

Accommodates tight replacement jobs, often found in the oldest Manufactured Homes.

SEVERAL APPLICATION ACCESSORIES

Allow for convenient adaptation to an original installation, saving field fabrication and sourcing time.

5-SPEED CONSTANT TORQUE ECM BLOWER

Provides efficient, quiet and comfortable operation with resized fan switches, eliminating nuisance cycling.

TILT-OUT DOOR

With more louvers for improved airflow, a standard 25" x 16" x 1" disposable filter, and a plunger-style switch for ease of service.

DEPENDABLE WARRANTY AND SUPPORT

Handled directly by Style Crest's dedicated HVAC Team, offering the most competitive warranty coverage and service in the Manufactured Housing industry.

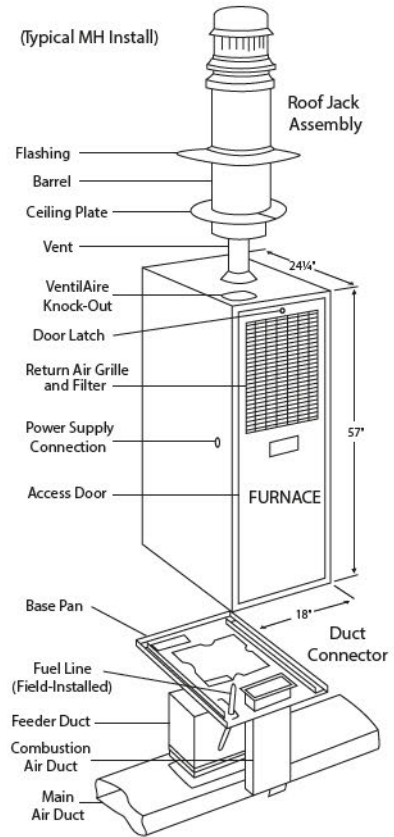
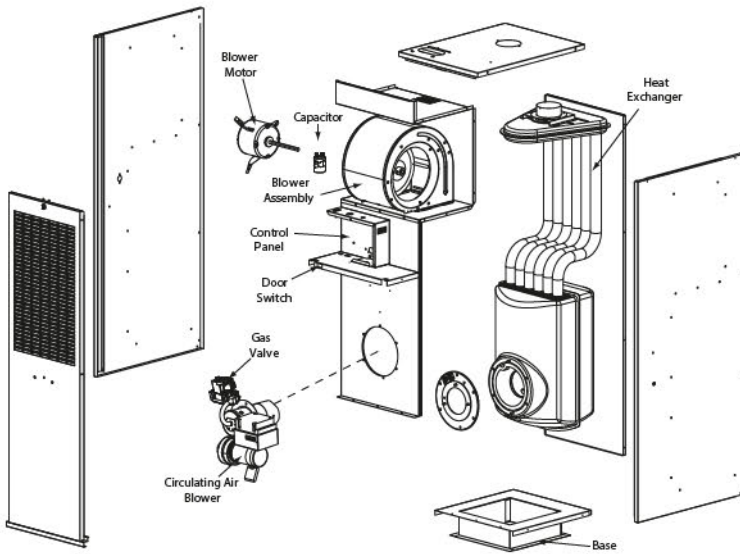
ACCESSORIES ALSO AVAILABLE



Item #	Model	AHRI Cert. #	Rated Heating	Item Dimensions	Package Weight	Position-Application	Supply Air	Return Air
			Input	Packaging Dimensions				
CMF3-70T-PG2	CMF3-70T-PG2	210586025	70 MBH	24-1/4"D x 18"W x 57"H	163 lbs	Downflow	Bottom, Ducted	Front, Open
			56 MBH	26"D x 20"W x =H				

Item #	Model	NG Orifice ¹	Blower Specifications	Rated Cooling Output	Rated Heating	MOP
		LP Orifice ¹			Input	
CMF3-70T-PG2	CMF3-70T-PG2	22	ECM, 1/2hp, 5spd	Packaged Unit Only	70 MBH	15 A
		41			56 MBH	

¹) Orifice sizing varies with altitude and firing rate; consult the installation instructions for correct orifice selection for your altitude and application.
 NOTE: No split system option, must use a packaged unit for air conditioning.



A2L M5SB 83% AFUE Downflow MH Oil Furnaces



UNIQUE MANUFACTURED HOUSING DESIGN

With a robust, 19-3/4"W, fully-insulated cabinet to fit the standard MH footprint; the M5SB is our latest HUD-compliant, oil furnace.

AC-READY OPTIONS

A factory-installed 20"H coil box, field-installed 20"H/26"H coil box, and PSC blower upgrades for up to 5-Tons nominal cooling. Refer to Split System sell sheets for AHRI-rated, coil-fit matches.

HIGH-PERFORMANCE COMBUSTION SYSTEM

Including a Beckett burner and drum heat exchanger, which contribute to the overall efficiency, reliability, and homeowner's peace of mind.

NUMEROUS APPLICATION ACCESSORIES

Save the hassle of field-fabrication, sourcing and repeat supply-house trips; on new or replacement jobs.

DEPENDABLE WARRANTY AND SUPPORT

Handled directly by Style Crest's dedicated HVAC Team, offering the most competitive warranty coverage and service in the Manufactured Housing industry.

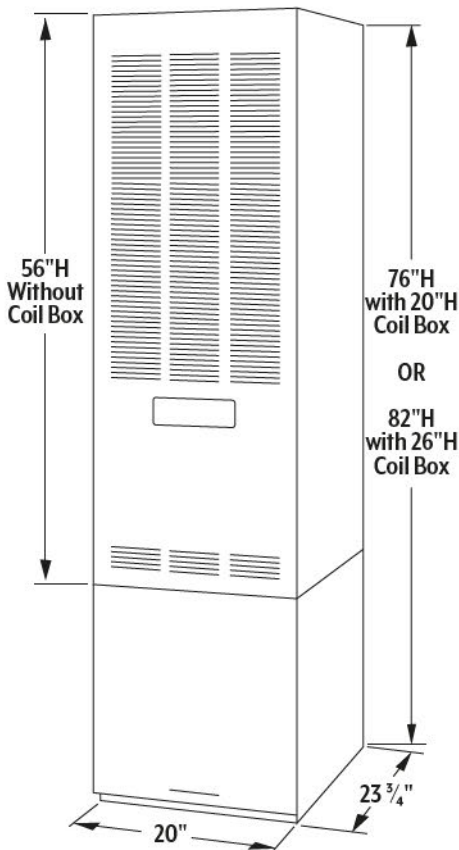
ACCESSORIES ALSO AVAILABLE



Item #	Model	AHRI Cert. #	Rated Heating	Item Dimensions	Package Weight	Coil Box	Position-Application	Supply Air	Return Air
			Input	Package Dimensions		Coil Box Height			
101100076	M5SB-B066A-AW1	215445138	66 MBH	23-3/4"D x 19-3/4"W x 56"H	150 lbs	None ¹	Downflow	Bottom, Ducted	Front, Open
			56 MBH	26-1/2"D x 21-5/8"W x 58-1/8"H					
101100077	M5SB-B066A-BW1	215445138	66 MBH	23-3/4"D x 19-3/4"W x 76"H	176 lbs	Yes	Downflow	Bottom, Ducted	Front, Open
			56 MBH	26-1/2"D x 21-5/8"W x 78-1/8"H					
101100078	M5SB-B086A-AW1	215445139	86 MBH	23-3/4"D x 19-3/4"W x 56"H	172 lbs	None ¹	Downflow	Bottom, Ducted	Front, Open
			72 MBH	26-1/2"D x 21-5/8"W x 58-1/8"H					
101100079	M5SB-B086A-BW1	215445139	86 MBH	23-3/4"D x 19-3/4"W x 76"H	187 lbs	Yes	Downflow	Bottom, Ducted	Front, Open
			72 MBH	26-1/2"D x 21-5/8"W x 78-1/8"H					

Item #	Model	Nozzle	Blower Specifications	Rated Heating	MCA	MOP
				Input		
101100076	M5SB-B066A-AW1	.50 Gph, 80°A	PSC, 1/4hp, 3spd, 3T	66 MBH	11.1	15 A
				56 MBH		
101100077	M5SB-B066A-BW1	.50 Gph, 80°A	PSC, 1/4hp, 3spd, 3T	66 MBH	11.1	15 A
				56 MBH		
101100078	M5SB-B086A-AW1	.65 Gph, 80°A	PSC, 1/4hp, 3spd, 3T	86 MBH	11.1	15 A
				72 MBH		
101100079	M5SB-B086A-BW1	.65 Gph, 80°A	PSC, 1/4hp, 3spd, 3T	86 MBH	11.1	15 A
				72 MBH		

1) If adding a central air split system, you must also order a separate field-installed coil box, listed in the Furnace Accessories section.



CMF2 80% AFUE Replacement MH Oil Furnace



18" WIDE CABINET

Accommodates tight replacement jobs, often found in the oldest Manufactured Homes.

SEVERAL APPLICATION ACCESSORIES

Allow for convenient adaptation to an original installation, saving field fabrication and sourcing time.

3-SPEED PSC BLOWER

Provides efficient, quiet and comfortable operation with resized auxiliary limit switch to eliminate nuisance cycling. A packaged unit is recommended for air conditioning needs.

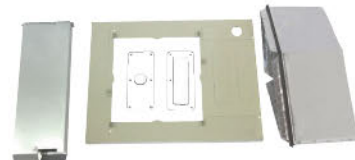
HIGH-QUALITY BECKETT OIL BURNERS

Factory installed for extended service-life.

DEPENDABLE WARRANTY AND SUPPORT

Handled directly by Style Crest's dedicated HVAC Team, offering the most competitive warranty coverage and service in the Manufactured Housing industry.

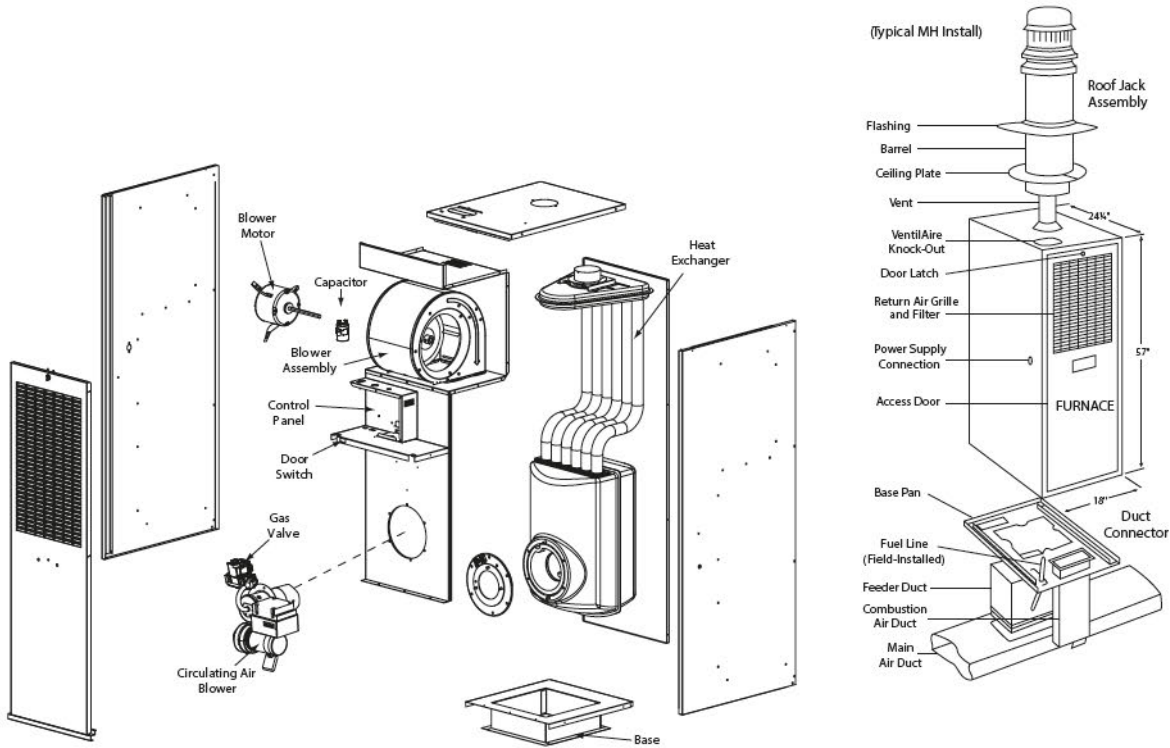
ACCESSORIES ALSO AVAILABLE



Item #	Model	AHRI Cert. #	Rated Heating	Item Dimensions	Package Weight	Position-Application	Supply Air	Return Air
			Input	Packaging Dimensions				
CMF2-80-P02	CMF2-80-P02	210586024	75 MBH	24-1/4"D x 18"W x 57"H	166 lbs	Downflow	Bottom, Ducted	Front, Open
			60 MBH	26"D x 20"W x 61"H				

Item #	Model	Nozzle	Blower Specifications	Rated Heating	MOP
				Input	
CMF2-80-P02	CMF2-80-P02	0.60 Gph, A, 80°	PSC, 1/4hp, 3spd	75 MBH	15 A
				60 MBH	

1) Orifice sizing varies with altitude and firing rate; consult the installation instructions for correct orifice selection for your altitude and application.
 NOTE: No split system option, must use a packaged unit for air conditioning.



R-454B North-AC Sweat Fit Split Condensers



SIMPLIFIED REFRIGERANT DETECTION SYSTEM

Supplied with every indoor coil to comply with UL 60335-2-40, for equipment safety with new A2L refrigerants.

ROBUST POST AND JACKET DESIGN

Independent louvered panels that are easily removed for service and maintenance, while protecting the coil from yard debris and extreme weather.

MICRO-CHANNEL COILS

Minimize refrigerant charge and cost. Mounted on a rugged, composite drain pan with damage-preventing molded steps and drainage holes, with all capacities in a single competitive footprint.

RESILIENT CORNER-POST PACKAGING

Creates a gap around the entire unit, distributes the load evenly, and minimizes contact with the carton; so the unit arrives safely to your customer.

DEPENDABLE WARRANTY AND SUPPORT

Handled directly by Style Crest's dedicated HVAC Team, offering the most competitive warranty coverage and service in the Manufactured Housing industry, with additional benefits when registering a complete system.

ACCESSORIES ALSO AVAILABLE

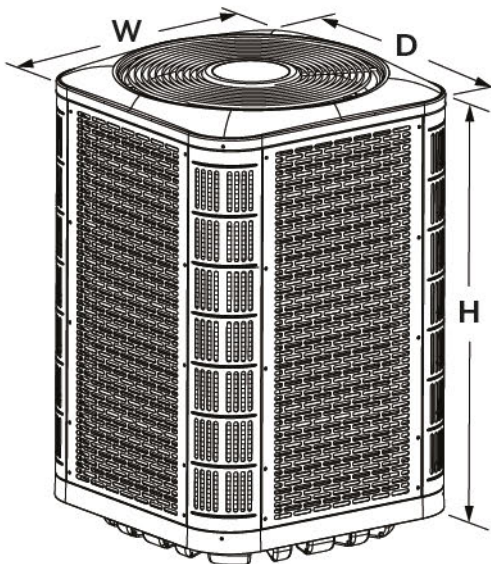


Item #	Model	Nominal Tons ¹	Item Dimensions	Package Weight	Min. Pad Size	Suction Line Connection	Liquid Line Connection	Refrigerant Type	Refrigerant Charge
			Packaging Dimensions						
101100092	HSA4MD5M1SN24K	2	23-3/4"D x 23-3/4"W x 28-1/2"H 27-1/2"D x 27-1/2"W x 30-3/4"H	131 lbs	24" X 24"	3/4"	3/8"	R-454B	39 Oz
101100093	HSA4MD5M1SN30K	2.5	23-3/4"D x 23-3/4"W x 33"H 27-1/2"D x 27-1/2"W x 34-3/4"H	136 lbs	24" X 24"	3/4"	3/8"	R-454B	49 Oz
101100094	HSA4MD5M1SN36K	3	23-3/4"D x 23-3/4"W x 37"H 27-1/2"D x 27-1/2"W x 38-3/4"H	147 lbs	24" X 24"	3/4" ²	3/8"	R-454B	55 Oz
101100095	HSA4MD5M1SN42K	3.5	31-3/4"D x 31-3/4"W x 33"H 35-1/2"D x 35-1/2"W x 34-3/4"H	165 lbs	32" x 32"	7/8"	3/8"	R-454B	57 Oz
101100096	HSA4MD5M1SN48K	4	31-3/4"D x 31-3/4"W x 37"H 35-1/2"D x 35-1/2"W x 38-3/4"H	206 lbs	32" x 32"	7/8"	3/8"	R-454B	68 Oz

Item #	Model	Nominal Tons ¹	SEER2	EER2	Cooling Output	MCA	MOP	Sound
101100092	HSA4MD5M1SN24K	2	13.4	11	23 MBH	12	20 A	73 dB
101100093	HSA4MD5M1SN30K	2.5	13.4	11	29 MBH	16.4	25 A	77 dB
101100094	HSA4MD5M1SN36K	3	13.4	11	34.8 MBH	19.4	30 A	74 dB
101100095	HSA4MD5M1SN42K	3.5	13.4	11	40 MBH	21.1	35 A	76 dB
101100096	HSA4MD5M1SN48K	4	13.4	11	45.5 MBH	25.6	40 A	78 dB

1) Refer to AHRI listings for actual capacities and performance data.

2) Line set vapor line increases to 7/8" over 24 ft equivalent length.



R-454B South-AC Sweat Fit Split Condensers



SIMPLIFIED REFRIGERANT DETECTION SYSTEM

Supplied with every indoor coil to comply with UL 60335-2-40, for equipment safety with new A2L refrigerants.

ROBUST POST AND JACKET DESIGN

Independent louvered panels that are easily removed for service and maintenance, while protecting the coil from yard debris and extreme weather.

MICRO-CHANNEL COILS

Minimize refrigerant charge and cost. Mounted on a rugged, composite drain pan with damage-preventing molded steps and drainage holes, with all capacities in a single competitive footprint.

COMPLIANT WITH ALL DOE REGIONS

So you can use the same split system condensers for a simplified stocking approach throughout your entire distribution and installation networks, uniquely designed and tested exclusively for HUD manufactured homes.

DEPENDABLE WARRANTY AND SUPPORT

Handled directly by Style Crest's dedicated HVAC Team, offering the most competitive warranty coverage and service in the Manufactured Housing industry, with additional benefits when registering a complete system.

ACCESSORIES ALSO AVAILABLE



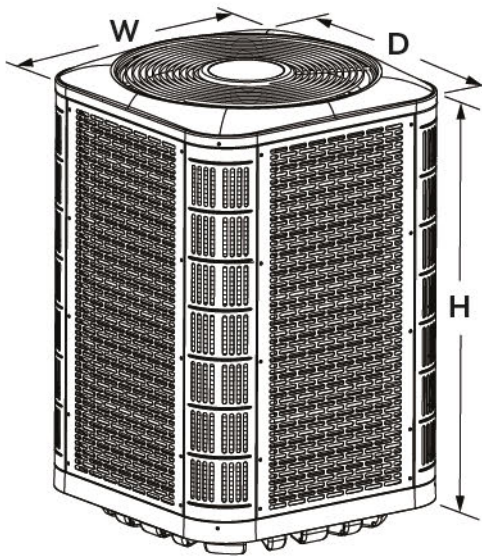
Item #	Model	Nominal Tons ¹	Item Dimensions	Package Weight	Min. Pad Size	Suction Line Connection	Liquid Line Connection	Refrigerant Type	Refrigerant Charge
			Packaging Dimensions						
10110097	HSA4ME5M1SN24K	2	31-3/4"D x 31-3/4"W x 29-1/4"H 35-1/2"D x 35-1/2"W x 30-3/4"H	155 lbs	32" x 32"	3/4"	3/8"	R-454B	53 Oz
10110098	HSA4ME5M1SN30K	2.5	31-3/4"D x 31-3/4"W x 29-1/4"H 35-1/2"D x 35-1/2"W x 30-3/4"H	155 lbs	32" x 32"	3/4"	3/8"	R-454B	46 Oz
10110099	HSA4ME5M1SN36K	3	31-3/4"D x 31-3/4"W x 31-1/4"H 35-1/2"D x 35-1/2"W x 38-3/4"H	168 lbs	32" x 32"	3/4" ²	3/8"	R-454B	66 Oz
10110100	HSA4ME5M1SN42K	3.5	31-3/4"D x 31-3/4"W x 45-1/4"H 35-1/2"D x 35-1/2"W x 46-3/4"H	178 lbs	32" x 32"	7/8"	3/8"	R-454B	69 Oz
10110101	HSA4ME5M1SN48K	4	31-3/4"D x 31-3/4"W x 45-1/4"H 35-1/2"D x 35-1/2"W x 46-3/4"H	200 lbs	32" x 32"	7/8"	3/8"	R-454B	77 Oz
10110102	HSA4ME5M1SN60K	5	31-3/4"D x 31-3/4"W x 45-1/4"H 35-1/2"D x 35-1/2"W x 46-3/4"H	213 lbs	32" x 32"	7/8" ²	3/8"	R-454B	87 Oz

Item #	Model	Nominal Tons ¹	SEER2	EER2	Cooling Output	MCA	MOP	Sound
10110097	HSA4ME5M1SN24K	2	14.3	11.7	23.4 MBH	12.1	20 A	72 dB
10110098	HSA4ME5M1SN30K	2.5	14.3	11.7	28.4 MBH	16.5	25 A	76 dB
10110099	HSA4ME5M1SN36K	3	14.3	11.7	35 MBH	18.9	30 A	73 dB
10110100	HSA4ME5M1SN42K	3.5	14.3	11.7	39.5 MBH	19.3	30 A	74 dB
10110101	HSA4ME5M1SN48K	4	13.8	11.2	45 MBH	25.6	40 A	78 dB
10110102	HSA4ME5M1SN60K	5	13.8	11.2	55.5 MBH	29.6	50 A	78 dB

1) Refer to AHRI listings for actual capacities and performance data.

2) Line set diameter increases to 7/8" if equivalent length exceeds 39ft, requiring 7/8" to 3/4" reducer from line to unit.

3) Line set diameter increases to 1-1/8" if equivalent length exceeds 25ft, requiring 7/8" to 1-1/8" reducer from line to unit.



R-454B Heat Pump Sweat Fit Split Condensers



SIMPLIFIED REFRIGERANT DETECTION SYSTEM

Supplied with every indoor coil to comply with UL 60335-2-40, for equipment safety with new A2L refrigerants.

ROBUST POST AND JACKET DESIGN

Independent louvered panels that are easily removed for service and maintenance, while protecting the coil from yard debris and extreme weather.

MICRO-CHANNEL COILS

Minimize refrigerant charge and cost. Mounted on a rugged, composite drain pan with damage-preventing molded steps and drainage holes, with all capacities in a single competitive footprint.

RESILIENT CORNER-POST PACKAGING

Creates a gap around the entire unit, distributes the load evenly, and minimizes contact with the carton; so the unit arrives safely to your customer.

DEPENDABLE WARRANTY AND SUPPORT

Handled directly by Style Crest's dedicated HVAC Team, offering the most competitive warranty coverage and service in the Manufactured Housing industry, with additional benefits when registering a complete system.

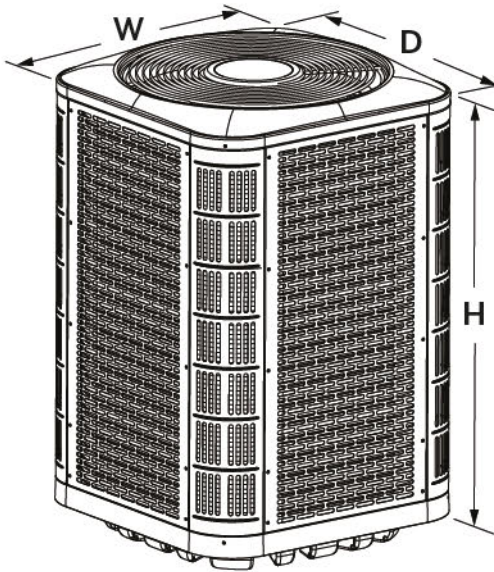
ACCESSORIES ALSO AVAILABLE



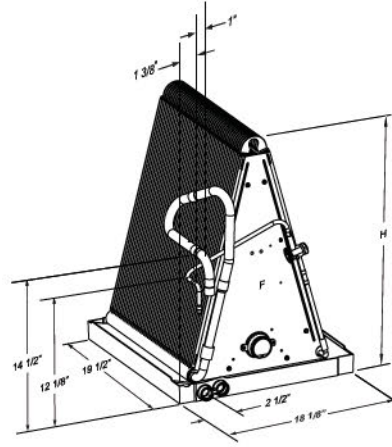
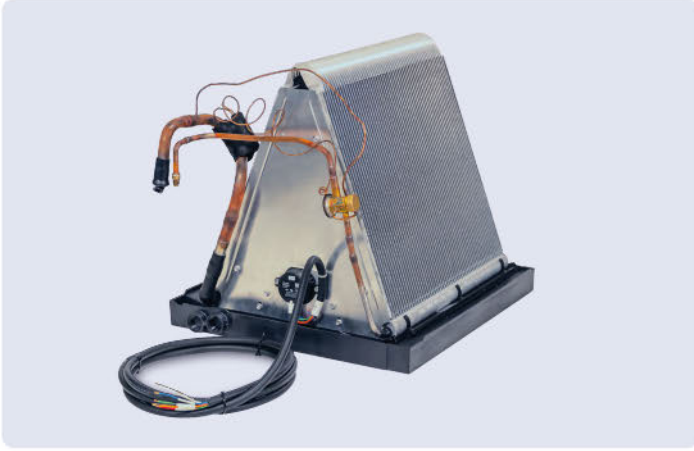
Item #	Model	Nominal Tons ¹	Item Dimensions	Package Weight	Min. Pad Size	Suction Line Connection	Liquid Line Connection	Refrigerant Type	Refrigerant Charge
			Packaging Dimensions						
101100103	HS4ME5M1SP24K	2	31-3/4"D x 31-3/4"W x 33"H 35-1/2"D x 35-1/2"W x 35-3/4"H	173 lbs	32" x 32"	3/4"	3/8"	R-454B	76 Oz
101100104	HS4ME5M1SP30K	2.5	31-3/4"D x 31-3/4"W x 37"H 35-1/2"D x 35-1/2"W x 38-3/4"H	180 lbs	32" x 32"	3/4"	3/8"	R-454B	85 Oz
101100105	HS4ME5M1SP36K	3	31-3/4"D x 31-3/4"W x 45"H 35-1/2"D x 35-1/2"W x 46-3/4"H	196 lbs	32" x 32"	3/4" ²	3/8"	R-454B	90 Oz
101100106	HS4ME5M1SP42K	3.5	31-3/4"D x 31-3/4"W x 45"H 35-1/2"D x 35-1/2"W x 46-3/4"H	207 lbs	32" x 32"	3/4"	3/8"	R-454B	103 Oz
101100107	HS4ME5M1SP48K ³	4	31-3/4"D x 31-3/4"W x 45"H 35-1/2"D x 35-1/2"W x 46-3/4"H	225 lbs	32" x 32"	7/8"	3/8"	R-454B	107 Oz

Item #	Model	Nominal Tons ¹	SEER2	EER2	HSPF2	Heating Output	Cooling Output	MCA	MOP	Sound
101100103	HS4ME5M1SP24K	2	14.3	11.8	7.5	23.4 MBH	23.4 MBH	12.1	20 A	71/71 dB
101100104	HS4ME5M1SP30K	2.5	14.3	11.8	7.5	30 MBH	30 MBH	16.5	25 A	73/72 dB
101100105	HS4ME5M1SP36K	3	14.3	11.8	7.5	35.4 MBH	34 MBH	19	30 A	71/69 dB
101100106	HS4ME5M1SP42K	3.5	14.3	11.8	7.5	41 MBH	39 MBH	19.3	30 A	76/75 dB
101100107	HS4ME5M1SP48K ³	4	14.3	11.8	7.5	46.5 MBH	44.5 MBH	25.6	40 A	77/76 dB

1) Refer to AHRI listings for actual capacities and performance data.
 2) Line set vapor line increases to 7/8" over 39 ft equivalent length.
 3) REQUIRES an E7* furnace model.



R-454B Sweat Fit Micro-Channel Indoor Coils



Item #	Model	Nominal Tons ¹	Item Dimensions	Package Weight	Coil Height	Min. Coil Box Height
			Packaging Dimensions			
101100108	C85DAMX24U-B	2	19-1/2"D x 18-1/8"W x 18"H 25-1/8"D x 20"W x 22-3/16"H	19.7 lbs	18"	20"
101100109	C85DAMX3036U-B	2.5	19-1/2"D x 18-1/8"W x 18"H 25-1/8"D x 20"W x 22-3/16"H	19.7 lbs	18"	20"
101100110	C85DAMX42U-B	3.5-AC	19-1/2"D x 18-1/8"W x 18"H 25-1/8"D x 20"W x 22-3/16"H	19.7 lbs	18"	20"
101100111	C85DAMX43U-B	3.5-HP	19-1/2"D x 18-1/8"W x 25"H 25-7/32"D x 20-7/32"W x 28-3/16"H	23.3 lbs	25"	26"
101100112	C85DAMX48U-B	4-AC	19-1/2"D x 18-1/8"W x 25"H 25-7/32"D x 20-7/32"W x 28-3/16"H	23.3 lbs	25"	26"
101100113	C85DAMX4960U-B	4-HP	19-1/2"D x 18-1/8"W x 29"H 25-1/2"D x 23"W x 32"H	33 lbs	29"	31"

Item #	Model	Suction Line Connection	Liquid Line Connection	Primary Drain Connection	Secondary Drain Connection	Refrigerant Type	Refrigerant Charge
101100108	C85DAMX24U-B	3/4"	3/8"	3/4"-NPSC	3/4"-NPSC	R-454B	N-18psi
101100109	C85DAMX3036U-B	3/4"	3/8"	3/4"-NPSC	3/4"-NPSC	R-454B	N-18psi
101100110	C85DAMX42U-B	3/4"	3/8"	3/4"-NPSC	3/4"-NPSC	R-454B	N-18psi
101100111	C85DAMX43U-B	3/4"	3/8"	3/4"-NPSC	3/4"-NPSC	R-454B	N-18psi
101100112	C85DAMX48U-B	3/4"	3/8"	3/4"-NPSC	3/4"-NPSC	R-454B	N-18psi
101100113	C85DAMX4960U-B	3/4"	3/8"	3/4"-NPSC	3/4"-NPSC	R-454B	N-18psi

¹) These are nominal values. Consult the AHRI Certified Products Directory for actual performance and required airflow.



Coil Kit

Complete Systems for Mobile Homes

Revolv matched systems are designed to work together seamlessly. A matched system delivers superior performance and increased warranty coverage for the homeowner, while reducing guesswork, challenging retrofits, and liability for the contractor. And the entire system is from Revolv—a trusted and proven brand focused exclusively on manufactured housing.

CONDENSERS



FURNACES

- Designed to be a drop-in fit for manufactured homes
- Appliance-quality construction and finish
- Constant torque, ECM blower provides peak performance
- Convenient NG-to-LP conversion
- Extended 5-year parts warranty with a matched system



INDOOR EVAPORATOR COILS

- All-aluminum micro-channel coil technology
- Use less refrigerant
- Factory-mounted A2L sensor and control
- Easier installation and service



CONDENSERS

- Durable stainless steel jackets provide modern look and more protection than a wire guard
- State-of-the-art scroll compressors
- 5-year parts warranty when paired with a rated coil

A2L Coils for Traditional Manufactured Housing Furnaces



DESIGNED EXCLUSIVELY FOR MANUFACTURED HOUSING

For optimized airflow and compatibility with the most common footprint for MH furnaces produced in the past 80 years - 20"W x 24"D, making these the perfect choice for existing mobile homes.

SIMPLIFIED REFRIGERANT DETECTION SYSTEM (RDS)

Supplied with every indoor coil for equipment safety with new A2L refrigerants, in compliance with UL 60335-2-40.

CODE-COMPLIANT DRAIN PAN

With a 2-opening design to prevent standing water that can adversely affect air quality and health. A metal drain pan is available to special order, recommended for oil upflow applications.

UL-LISTED AND LEAK TESTED

To 500psig for construction-safety and quality, giving the contractor and homeowner peace of mind.

PRE-INSTALLED TXV AND ACCESSORY KIT

For quicker installations and wider operational range, including an integral strainer for longer service life.

DEPENDABLE WARRANTY AND SUPPORT

Handled directly by Style Crest's dedicated HVAC Team, offering 5-years Parts, standard coverage.

AVAILABLE ACCESSORIES



Sweat Fit Line Set
(Sold Separately)

Coil Accessory Kit (Included)



For AHRI ratings with Revolv coils on current and obsolete products, scan the QR code.



A2L Coils for Traditional Manufactured Housing Furnaces

Model-Item#	Design Refrig.	Height †	Min Coil Box Ht. †	Depth	Width	Suction Conn. Ø	Liquid Conn. Ø	Drain Conn. Ø	Ship Weight	UPC	TXV Item#	RDS Item#
32C1853	R-32	18 ½"	20"	19 ¾"	18"	7/8"	3/8"	3/4"	34 lbs	633958715575	R72DB010IDF	R68ALL001
32C1854	R-32	18 ½"	20"	19 ¾"	18"	7/8"	3/8"	3/4"	39 lbs	633958715582	R72DB010IDF	R68ALL001
32E2054	R-32	20 ½"	26"	20 ½"	18"	7/8"	3/8"	3/4"	49 lbs	633958715674	R72DB0102DF	R68ALL001
32C2454	R-32	24 ½"	26"	19 ¾"	18"	7/8"	3/8"	3/4"	48 lbs	633958715681	R72DB0102DF	R68ALL001
32C2854	R-32	28 ½"	31"	19 ¾"	18"	7/8"	3/8"	3/4"	54 lbs	633958715711	R72DB0102DF	R68ALL001
454C1853	R-454B	18 ½"	20"	19 ¾"	18"	7/8"	3/8"	3/4"	36 lbs	633958715728	R72DB0103DF	R68ALL002
454C1854	R-454B	18 ½"	20"	19 ¾"	18"	7/8"	3/8"	3/4"	39 lbs	633958715735	R72DB0103DF	R68ALL002
454C2003	R-454B	20"	26"	19 ¾"	18"	7/8"	3/8"	3/4"	37 lbs	633958715742	R72DB0103DF	R68ALL002
454E2054	R-454B	20 ½"	26"	20 ½"	18"	7/8"	3/8"	3/4"	49 lbs	633958716015	R72DB0104DF	R68ALL002
454C3403	R-454B	34"	36"	19 ¾"	18"	7/8"	3/8"	3/4"	58 lbs	633958716022	R72DB0104DF	R68ALL002
454C2454	R-454B	24 ½"	26"	19 ¾"	18"	7/8"	3/8"	3/4"	48 lbs	633958716053	R72DB0104DF	R68ALL002
454C2654	R-454B	26 ½"	31"	19 ¾"	18"	7/8"	3/8"	3/4"	56 lbs	633958716060	R72DB0104DF	R68ALL002
454C3054	R-454B	30 ½"	32"	19 ¾"	18"	7/8"	3/8"	3/4"	59 lbs	633958716114	R72DB0104DF	R68ALL002
454C3454	R-454B	34 ½"	36"	19 ¾"	18"	7/8"	3/8"	3/4"	64 lbs	633958716121	R72DB0104DF	R68ALL002

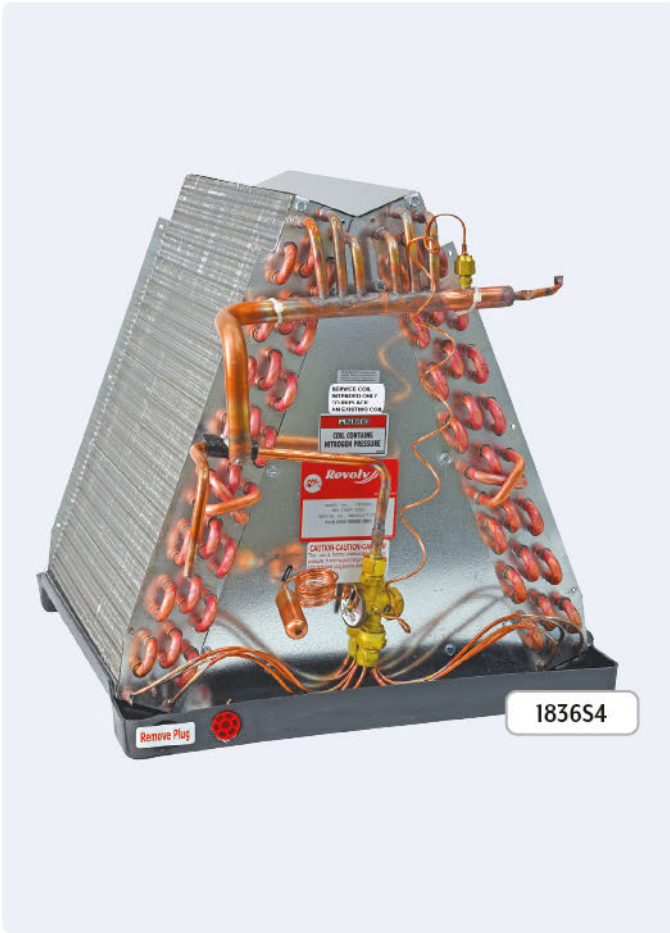
†) A coil box is required for A2L installation-safety. Consider height, depth, width, and nominal air-opening of the furnace and coil box-cavity for proper fit-up.

AHRI-RATED MIX-MATCH SPLIT SYSTEM COMBINATIONS

Outdoor Brand	Outdoor Model	Indoor Coil Model+	Outdoor Brand	Outdoor Model	Indoor Coil Model+	Outdoor Brand	Outdoor Model	Indoor Coil Model+	Outdoor Brand	Outdoor Model	Indoor Coil Model+
AMERICAN STANDARD	5A7A4036AI	454C3454-RDS-TDR	COMFORTMAKER	N5A4542K*NAA*	454C2454-RDS-TDR	GOODMAN	GLXS3BN4210A*	32E2054-RDS-TDR	MARATHHERM	N5A5542K*WAA*	454E2054-RDS-TDR
AMERICAN STANDARD	5A7A4042AI	454C3454-RDS-TDR	COMFORTMAKER	N5A4548K*NAA*	454C3454-RDS-TDR	GOODMAN	GLXS3BN4810A*	32C2454-RDS-TDR	MARATHHERM	N5A5548K*WAA*	454C2454-RDS-TDR
AMERICAN STANDARD	5A6H4036AI	454C3054-RDS-TDR	COMFORTMAKER	N5A4560K*NAA*	454C3454-RDS-TDR	GOODMAN	GLXS3BN6010A*	32C2454-RDS-TDR	MARATHHERM	N5A5560K*WAA*	454C2454-RDS-TDR
AMERICAN STANDARD	5A6H4042AI	454C3054-RDS-TDR	DAIKIN	DC45EA1810A*	32C1853-RDS-TDR	GOODMAN	GLXS3BN4210A*	32C2454-RDS-TDR	OXBOX	J5AC3036AI000AA	454C854-RDS-TDR
AMERISTAR	ASAC4036AI	454C3454-RDS-TDR	DAIKIN	DC45EA2410A*	32C1853-RDS-TDR	GOODMAN	GLXS4BA1810A*	32C1853-RDS-TDR	OXBOX	J5AC3024AI000AA	454C1854-RDS-TDR
AMERISTAR	ASAC4042AI	454C3454-RDS-TDR	DAIKIN	DC45EA3010A*	32C1854-RDS-TDR	GOODMAN	GLXS4BA2410A*	32C1853-RDS-TDR	OXBOX	J5AC3030AI000AA	454C1854-RDS-TDR
AMERISTAR	ASAC4048AI	454C3454-RDS-TDR	DAIKIN	DC45EA4210A*	32C2054-RDS-TDR	GOODMAN	GLXS4BA3010A*	32C1854-RDS-TDR	OXBOX	J5AC3036AI000AA	454E2054-RDS-TDR
AMERISTAR	ASAC4060AI	454C3454-RDS-TDR	DAIKIN	DC45EA4810A*	32C2454-RDS-TDR	GOODMAN	GLXS4BA4210A*	32E2054-RDS-TDR	OXBOX	J5AC3042AI000AA	454C3454-RDS-TDR
AMERISTAR	ASAC3036AI	454C3054-RDS-TDR	DAIKIN	DC45EA6010A*	32C2854-RDS-TDR	GOODMAN	GLXS4BA4810A*	32C2454-RDS-TDR	RHEEM	RAISNY24AJN	454C1854-RDS-TDR
AMERISTAR	ASAC3042AI	454C3054-RDS-TDR	DAIKIN	DC35EA1810A*	32C1853-RDS-TDR	GOODMAN	GLXS4BA6010A*	32C2854-RDS-TDR	RHEEM	RAISNY30AJN	454C1854-RDS-TDR
AMERISTAR	ASAC3048AI	454C3454-RDS-TDR	DAIKIN	DC35EA2410A*	32C1853-RDS-TDR	GOODMAN	GLXS3BA1810A*	32C1853-RDS-TDR	RHEEM	RAISAY24AJN	454C1854-RDS-TDR
AMERISTAR	ASAC3060AI	454C3454-RDS-TDR	DAIKIN	DC35EA3010A*	32C1854-RDS-TDR	GOODMAN	GLXS3BA2410A*	32C1853-RDS-TDR	RHEEM	RAISAY30AJN	454C1854-RDS-TDR
AMERISTAR	A5H4036AI	454C3054-RDS-TDR	DAIKIN	DC35EA3610A*	32C1854-RDS-TDR	GOODMAN	GLXS3BA3010A*	32C1854-RDS-TDR	RHEEM	RAISAY36AJN	454C2454-RDS-TDR
AMERISTAR	A5H4042AI	454C3054-RDS-TDR	DAIKIN	DC35EA4210A*	32E2054-RDS-TDR	GOODMAN	GLXS3BA4210A*	32E2054-RDS-TDR	RHEEM	RAISNY36AJN	454C2454-RDS-TDR
AMERISTAR	A5H4048AI	454C3454-RDS-TDR	DAIKIN	DC35EA4810A*	32C2454-RDS-TDR	GOODMAN	GLXS3BA4810A*	32C2454-RDS-TDR	RUUD	RAISNY24AJN	454C1854-RDS-TDR
ARMSTRONG AIR	A7AC1F324P**A	454C1853-RDS-TDR	DAIKIN	DC35EA6010A*	32C2854-RDS-TDR	GOODMAN	GLXS3BA6010A*	32C2854-RDS-TDR	RUUD	RAISY30AJN	454C1854-RDS-TDR
ARMSTRONG AIR	A7AC1F36P**A	454C1854-RDS-TDR	DAIKIN	DC45EA3610A*	32C1854-RDS-TDR	GOODMAN	GLXS3BA3610A*	32C1854-RDS-TDR	RUUD	RAISNY36AJN	454C2454-RDS-TDR
ARMSTRONG AIR	A7AC1F36P**A	454C1854-RDS-TDR	DAY & NIGHT	N5A5518K*WAA*	454C1853-RDS-TDR	GOODMAN	GLXS3BA3610A*	32C1854-RDS-TDR	RUUD	RAISAY24AJN	454C1854-RDS-TDR
ARMSTRONG AIR	A7AC1F42P**A	454C2454-RDS-TDR	DAY & NIGHT	N5A5524K*WAA*	454C1853-RDS-TDR	GRANDAIR	W5A5518K*WAA*	454C1853-RDS-TDR	RUUD	RAISY30AJN	454C1854-RDS-TDR
ARMSTRONG AIR	A7AC1F48P**A	454C2654-RDS-TDR	DAY & NIGHT	N5A5530K*WAA*	454C1854-RDS-TDR	GRANDAIR	W5A5524K*WAA*	454C1853-RDS-TDR	RUUD	RAISAY36AJN	454C2454-RDS-TDR
ARMSTRONG AIR	A7AC1F60P**A	454C2854-RDS-TDR	DAY & NIGHT	N5A5536K*WAA*	454C1854-RDS-TDR	GRANDAIR	W5A5530K*WAA*	454C1854-RDS-TDR	TEMPSTAR	N5A4524K*WAA*	454C1853-RDS-TDR
ARMSTRONG AIR	A7AC1F42P**A	454C1853-RDS-TDR	DAY & NIGHT	N5A5542K*WAA*	454C2454-RDS-TDR	GRANDAIR	W5A5536K*WAA*	454E2054-RDS-TDR	TEMPSTAR	N5A4530K*WAA*	454C1854-RDS-TDR
ARMSTRONG AIR	A7AC1F36P**A	454C1854-RDS-TDR	DAY & NIGHT	N5A5548K*WAA*	454C2454-RDS-TDR	GRANDAIR	W5A5542K*WAA*	454E2054-RDS-TDR	TEMPSTAR	N5A4536K*WAA*	454C1854-RDS-TDR
ARMSTRONG AIR	A7AC1F48P**A	454C1854-RDS-TDR	DAY & NIGHT	N5A5560K*WAA*	454C2454-RDS-TDR	GRANDAIR	W5A5548K*WAA*	454C2454-RDS-TDR	TEMPSTAR	N5A4542K*WAA*	454E2054-RDS-TDR
ARMSTRONG AIR	A7AC1F42P**A	454C2454-RDS-TDR	DUCANE	7AC13F18P**A	454C1853-RDS-TDR	GRANDAIR	W5A5560K*WAA*	454C2454-RDS-TDR	TEMPSTAR	N5A5524K*WAA*	454C1853-RDS-TDR
ARMSTRONG AIR	A7AC1F48P**A	454C2654-RDS-TDR	DUCANE	7AC1F24P**A	454C1853-RDS-TDR	GUARDIAN	RC34E2S11	454C1853-RDS-TDR	TEMPSTAR	N5A5530K*WAA*	454C1854-RDS-TDR
ARMSTRONG AIR	A7AC1F60P**A	454C2854-RDS-TDR	DUCANE	7AC1F30P**A	454C1854-RDS-TDR	GUARDIAN	RC330E2S11	454C1853-RDS-TDR	TEMPSTAR	N5A5536K*WAA*	454C1854-RDS-TDR
ARMSTRONG AIR	A7AC1F42P**A	454C1853-RDS-TDR	DUCANE	7AC1F36P**A	454C1854-RDS-TDR	GUARDIAN	RC336E2S11	454C1854-RDS-TDR	TEMPSTAR	N5A5542K*WAA*	454E2054-RDS-TDR
ARMSTRONG AIR	A7AC1F48P**A	454C1853-RDS-TDR	DUCANE	7AC1F42P**A	454C2454-RDS-TDR	GUARDIAN	RC34E2S11	454E2054-RDS-TDR	WEATHERKING	WAISN18AJN	454C1853-RDS-TDR
ARMSTRONG AIR	A7AC1F60P**A	454C1853-RDS-TDR	DUCANE	7AC1F48P**A	454C2454-RDS-TDR	GUARDIAN	RC34E2S11	454C2454-RDS-TDR	WEATHERKING	WAISN24AJN	454C1854-RDS-TDR
ARMSTRONG AIR	A7AC1F42P**A	454C1854-RDS-TDR	DUCANE	7AC1F36P**A	454C2654-RDS-TDR	HEIL	N5A5518K*WAA*	454C1853-RDS-TDR	WEATHERKING	WAISN30AJN	454C1854-RDS-TDR
ARMSTRONG AIR	A7AC1F48P**A	454E2054-RDS-TDR	DURASTAR	DRAC13B18AJJN	454C1853-RDS-TDR	HEIL	N5A5524K*WAA*	454C1853-RDS-TDR	WEATHERKING	WAISN36AJN	454C2654-RDS-TDR
ARMSTRONG AIR	A7AC1F60P**A	454C1854-RDS-TDR	DURASTAR	DRAC13B30AJJN	454C1854-RDS-TDR	HEIL	N5A5530K*WAA*	454C1854-RDS-TDR	WEATHERKING	WAISN42AJN	454C3054-RDS-TDR
ARMSTRONG AIR	A7AC1F42P**A	454C2454-RDS-TDR	DURASTAR	DRAC13B36AJJN	454C2654-RDS-TDR	HEIL	N5A5536K*WAA*	454C1854-RDS-TDR	WEATHERKING	WAISN48AJN	454C3054-RDS-TDR
ARMSTRONG AIR	A7AC1F48P**A	454C1853-RDS-TDR	DURASTAR	DRAC13B42AJJN	454C3054-RDS-TDR	HEIL	N5A5542K*WAA*	454E2054-RDS-TDR	WEATHERKING	WSA44Y18AJN	454C1853-RDS-TDR
ARMSTRONG AIR	A7AC1F60P**A	454C1853-RDS-TDR	DURASTAR	DRAC13B48AJJN	454C3054-RDS-TDR	HEIL	N5A5548K*WAA*	454C2454-RDS-TDR	WEATHERKING	WSA44Y24AJN	454C1854-RDS-TDR
ARMSTRONG AIR	A7AC1F42P**A	454C1854-RDS-TDR	DURASTAR	DRAC13B42AJJN	454C3403-RDS-TDR	HEIL	N5A5560K*WAA*	454C2454-RDS-TDR	WEATHERKING	WSA44Y30AJN	454C1854-RDS-TDR
ARMSTRONG AIR	A7AC1F48P**A	454C1854-RDS-TDR	DURASTAR	DRAC14B42AJJN	454C3403-RDS-TDR	HEIL	N5A5536K*WAA*	454C2454-RDS-TDR	YORK	YC44E2S11	454C1853-RDS-TDR
ARMSTRONG AIR	A7AC1F60P**A	454E2054-RDS-TDR	DURASTAR	DRAC14B48AJJN	454C3403-RDS-TDR	HEIL	N5A5536K*WAA*	454C2454-RDS-TDR	YORK	YC44E2S11	454C1854-RDS-TDR
ARMSTRONG AIR	A7AC1F42P**A	454C2454-RDS-TDR	GOODMAN	GLXS3BN4810A*	32C2854-RDS-TDR	HEIL	N5A5536K*WAA*	454C2454-RDS-TDR	YORK	YC44E2S11	454C1854-RDS-TDR
ARMSTRONG AIR	A7AC1F48P**A	454C3054-RDS-TDR	GOODMAN	GLXS3BN6010A*	32C2854-RDS-TDR	HEIL	N5A5536K*WAA*	454C2454-RDS-TDR	YORK	YC44E2S11	454E2054-RDS-TDR
ARMSTRONG AIR	A7AC1F60P**A	454C1853-RDS-TDR	GOODMAN	GLXS3BN1810A*	32C1853-RDS-TDR	HEIL	N5A5536K*WAA*	454C1854-RDS-TDR	YORK	YC44E2S11	454C2454-RDS-TDR
COMFORTMAKER	N5A4518K*NAA*	454C1853-RDS-TDR	GOODMAN	GLXS3BN2410A*	32C1853-RDS-TDR	MARATHHERM	N5A5518K*WAA*	454C1853-RDS-TDR	YORK	YC44E2S11	454C2454-RDS-TDR
COMFORTMAKER	N5A4524K*NAA*	454C1853-RDS-TDR	GOODMAN	GLXS3BN2410A*	32C1853-RDS-TDR	MARATHHERM	N5A5524K*WAA*	454C1853-RDS-TDR			
COMFORTMAKER	N5A4530K*NAA*	454C1854-RDS-TDR	GOODMAN	GLXS3BN3010A*	32C1854-RDS-TDR	MARATHHERM	N5A5530K*WAA*	454C1854-RDS-TDR			
COMFORTMAKER	N5A4536K*NAA*	454C1854-RDS-TDR	GOODMAN	GLXS3BN3610A*	32C1854-RDS-TDR	MARATHHERM	N5A5536K*WAA*	454C1854-RDS-TDR			

Note: A blower upgrade and/or time delay relay (TDR) may also be required to achieve the certified AHRI performance ratings.

R-410A Tube-in-Fin Manufactured Housing Service Coils



1836S4

DESIGNED EXCLUSIVELY FOR MANUFACTURED HOUSING

For optimized airflow and compatibility with most new and existing MH furnaces that have the historical 20"W x 24"D footprint, which makes these the perfect choice to replace an existing manufactured housing indoor coil.

PRE-INSTALLED TXV

For quicker installations and wider operational range, including an integral strainer for longer service life.

CODE-COMPLIANT DRAIN PAN

With a 2-opening design to prevent standing water that can adversely affect air quality and health. A metal drain pan is available to special order, recommended for oil upflow applications.

UL-LISTED AND LEAK TESTED

Tested to 500psig for construction-safety and quality, giving the homeowner peace of mind.

COIL ACCESSORY KIT INCLUDED

Included to avoid nuisance return trips to the service truck or supply house for parts that are commonly field-supplied.

DEPENDABLE WARRANTY AND SUPPORT

Handled directly by Style Crest's dedicated HVAC Team, offering 5-years Parts standard coverage.

AVAILABLE ACCESSORIES



Sweat Fit Line Set
(Sold Separately)



Coil Accessory Kit (Included)

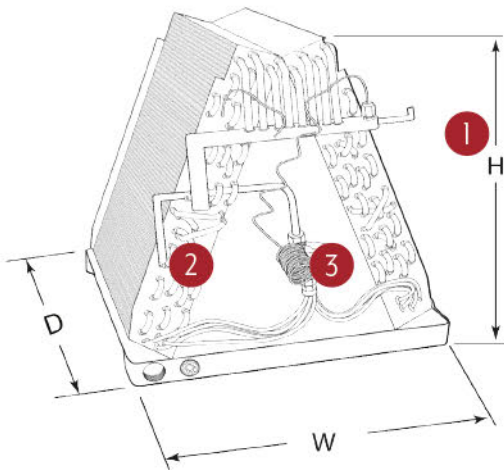
R-410A Tube-in-Fin Manufactured Housing Service Coils

Item #	Height	Depth	Width	Rows	Face Area	Replaces Revolv Model	Height	Depth	Width	Rows	Face Area
1836S4	18"	19 5/8"	18"	3	4 ft ²	1830S4A	14"	19 5/8"	18"	3	3.11 ft ²
						1836S4A / 1836M4A	18"	19 5/8"	18"	3	4 ft ²
1854S4	18 1/2"	19 5/8"	18"	4	4 ft ²	1844S4A	18 1/2"	19 5/8"	18"	4	4 ft ²
						1845S4A / 1845M4A	24"	19 5/8"	18"	3	5.83 ft ²
						1847S4A / 1847M4A	22 1/2"	19 5/8"	18"	4	4.89 ft ²
						1851S4A	20 1/2"	22 1/2"	18"	4	4.83 ft ²
						1854S4A / 1854M4A	18 1/2"	19 5/8"	18"	4	4 ft ²
1856S4	24 1/2"	19 5/8"	18"	4	5.33 ft ²	1856S4A / 1856M4A	24 1/2"	19 5/8"	18"	4	5.33 ft ²
187848S4	19 1/2"	19 5/8"	18"	4	4.54 ft ²	187848S4A / 187848M4A	19 1/2"	19 5/8"	18"	4	4.54 ft ²

Model/Item #	Shipping Height	Shipping Depth	Shipping Width	Shipping Weight	Suction Conn. Ø	Liquid Conn. Ø	Drain Conn. Ø	UPC	TXV Item #
1836S4	19 3/4"	25 3/4"	19 1/2"	33 lbs	7/8"	3/8"	3/4"	633961210319	18R72DB0003
1854S4	19 3/4"	25 3/4"	19 1/2"	38 lbs	7/8"	3/8"	3/4"	633961210326	18R72DB0004
1856S4	25 3/4"	26 1/4"	19 1/2"	36 lbs	7/8"	3/8"	3/4"	633961210340	18R72DB0044
187848S4	22 1/4"	25 1/2"	19 1/2"	49 lbs	7/8"	3/8"	3/4"	633961210333	18R72DB0004

Choosing Your Service Coil

- 1** Measure the height of the coil box-cavity and the third-party manufactured housing coil being replaced, to select the service coil with the nearest height to the coil you are replacing AND will fit in the existing coil box-cavity.
- 2** Count the number of rows of tubes in one side-plate of the coil (normally 3 or 4 rows). Choose the coil with the same number of rows as the coil being replaced. Confirm the service coil has at least the same face area as the original coil.
- 3** It is important to install an appropriate expansion device and BALANCE a split system when replacing an original indoor coil to prevent potential compressor damage. Service coils are shipped with the TXV (Thermal Expansion Valve) that was used for the comparable rated coil. Consult the original condenser product data or installation instructions for other applications.



A Service Coil is...

...a mechanical arrangement of refrigerant-to air heat transfer tubes & fins with an expansion device, intended to exclusively replace an existing indoor coil that is part of a split system already in-service.

IMPORTANT

All SERVICE COILS are shipped from the factory pressurized with Nitrogen in excess of 200 PSIG and do NOT contain any refrigerant. Relieve Nitrogen pressure BEFORE opening the refrigerant circuit to avoid injury.

R-454B Self-Contained Packaged Air Conditioner



2023 DOE-COMPLIANT A2L MODELS

Meet the latest performance minimums for ALL DOE AC regions and comply with UL 60335-2-40 equipment safety and testing standard for A2L refrigerants.

ALUMINUM MICRO-CHANNEL COILS

Designed to optimize heat transfer, minimize footprint, decrease materials cost, reduce refrigerant volume, and resist formicary corrosion to promote longer service-life.

CONVENIENT SERVICE ACCESS

Access to all control components, compressor, evaporator coil, and indoor blower; with perimeter high and low-side refrigerant ports.

ADVANCED REFRIGERATION TECHNOLOGY

Including a factory-installed, liquid line filter-drier.

HIGH-STATIC BLOWER

Utilizes a high-efficiency, 5-speed, fixed-torque, brushless-DC ECM for quieter operation.

OPTIONAL ELECTRIC HEATER KITS

Available for field-installation in Air Conditioners or Heat Pumps, ranging from 5-15 kW output.

COMPETITIVE, COMPACT FOOTPRINTS

Will fit some of the most aggressive lot lines, and allow for easier transportation and installation.

DEPENDABLE WARRANTY AND SUPPORT

Handled directly by Style Crest's dedicated HVAC Team, offering the most competitive warranty coverage and service in the Manufactured Housing industry.

ACCESSORIES ALSO AVAILABLE

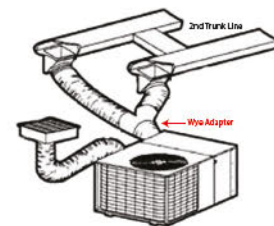
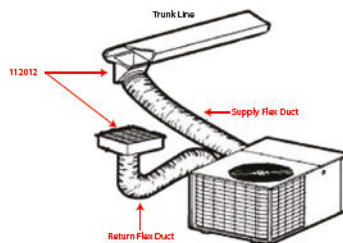
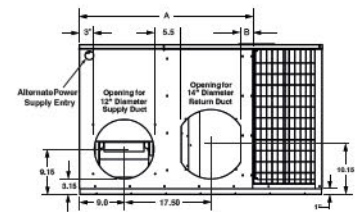
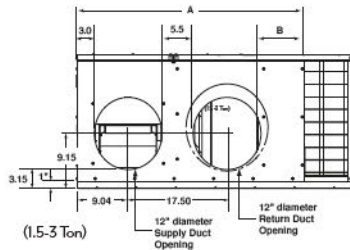
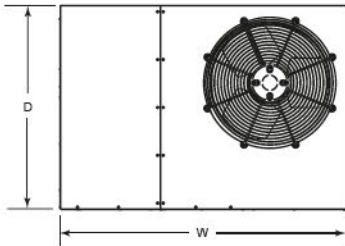


Item #	Model	Nominal Tons ¹	AHRI Cert. #	Item Dimensions	Package Weight	Min. Pad Size	Refrigerant Type	Refrigerant Charge
				Packaging Dimensions				
101100080	P95RD-024K	2	216800068	35"D x 49"W x 22-13/64"H 37-1/2"D x 51"W x 23"H	212 lbs	49" x 35"	R-454B	37 Oz
101100081	P95RD-030K	2.5	216800069	35"D x 49"W x 22-13/64"H 37-1/2"D x 51"W x 23"H	237 lbs	49" x 35"	R-454B	38.4 Oz
101100082	P95RD-036K	3	216800070	35"D x 49"W x 22-13/64"H 37-1/2"D x 51"W x 23"H	243 lbs	49" x 35"	R-454B	34 Oz
101100083	P95RD-042K	3.5	216800071	35"D x 49"W x 30-13/64"H 37-1/2"D x 51"W x 31"H	296 lbs	49" x 35"	R-454B	44.6 Oz
101100084	P95RD-048K	4	216800072	35"D x 49"W x 30-13/64"H 37-1/2"D x 51"W x 31"H	298 lbs	49" x 35"	R-454B	46.7 Oz
101100085	P95RD-060K	5	216800073	35"D x 63"W x 38-13/64"H 37-1/2"D x 65"W x 39"H	353 lbs	63" x 35"	R-454B	69 Oz

Item #	Model	Nominal Tons ¹	Cooling Output	SEER2	EER2	MCA	MOP	Sound
101100080	P95RD-024K	2	23.6 MBH	13.4	10.6	16.0	20 A	75 dB
101100081	P95RD-030K	2.5	28.6 MBH	13.4	10.6	20.5	30 A	77 dB
101100082	P95RD-036K	3	34.4 MBH	13.4	10.6	25.7	40 A	76 dB
101100083	P95RD-042K	3.5	40 MBH	13.4	10.6	28.5	45 A	76 dB
101100084	P95RD-048K	4	46 MBH	13.4	10.6	36.5	50 A	77 dB
101100085	P95RD-060K	5	56.5 MBH	13.4	10.6	38.1	60 A	76 dB

1) Refer to AHRI listings for actual capacities and performance data.

2) Electrical data for unit-only, which would not include the addition of any field-installed electric heater.



PACKAGED UNITS

R-454B Self-Contained Packaged Heat Pump



2023 DOE-COMPLIANT A2L MODELS

Meet the latest HUD and performance requirements, as well as complying with UL 60335-2-40 equipment safety and testing standard for A2L refrigerants.

ALUMINUM MICRO-CHANNEL COILS

Designed to optimize heat transfer, minimize footprint, decrease materials cost, reduce refrigerant volume, and resist formicary corrosion to promote longer service life.

ADVANCED REFRIGERATION TECHNOLOGY

Including a factory-installed, Bi-flow, liquid line filter-drier, patented hot gas defrost, and a factory-supplied Bi-metallic Outdoor Thermostat.

CONVENIENT SERVICE ACCESS

Access to all control components, compressor, evaporator coil, and indoor blower; with perimeter high and low-side refrigerant ports.

HIGH-STATIC BLOWER

Utilizes a high-efficiency, 5-speed, fixed-torque, brushless-DC ECM.

OPTIONAL ELECTRIC HEATER KITS

Available for field-installation in Air Conditioners or Heat Pumps, ranging from 5-15 kW output.

COMPETITIVE, COMPACT FOOTPRINTS

Will fit some of the most aggressive lot lines, and allow for easier transportation and installation.

DEPENDABLE WARRANTY AND SUPPORT

Handled directly by Style Crest's dedicated HVAC Team, offering the most competitive warranty coverage and service in the Manufactured Housing industry.

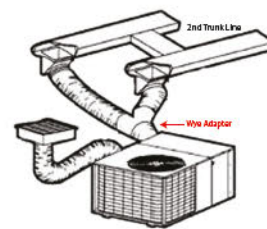
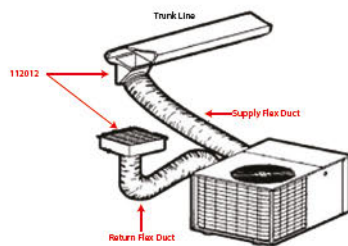
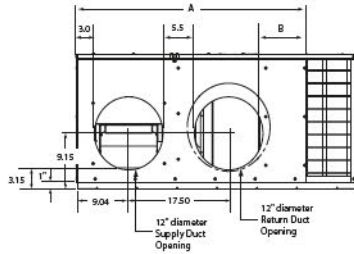
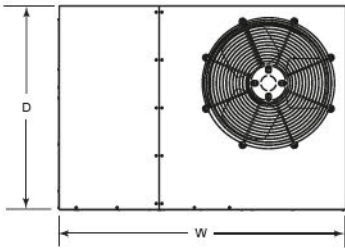
ACCESSORIES ALSO AVAILABLE



Item #	Model	Nominal Tons ¹	AHRI Cert. #	Item Dimensions		Package Weight	Min. Pad Size	Refrigerant Type	Refrigerant Charge
				Packaging Dimensions					
101100086	Q95RD-024K	2	216031831	35"D x 49"W x 30-13/164"H		280 lbs	49" x 35"	R-454B	61.8 Oz
101100087	Q95RD-030K	2.5	216031832	37-1/2"D x 51"W x 31"H		281 lbs	49" x 35"	R-454B	64 Oz
101100088	Q95RD-036K	3	216031833	35"D x 49"W x 30-13/164"H		300 lbs	49" x 35"	R-454B	62.4 Oz
101100089	Q95RD-042K	3.5	216031834	37-1/2"D x 51"W x 31"H		348 lbs	63" x 35"	R-454B	67.2 Oz
101100090	Q95RD-048K	4	216031835	35"D x 63"W x 38-13/164"H		370 lbs	63" x 35"	R-454B	92 Oz
101100091	Q95RD-060K	5	216031836	37-1/2"D x 65"W x 39"H		382 lbs	63" x 35"	R-454B	92 Oz

Item #	Model	Nominal Tons ¹	SEER2	EER2	HSPF2	Heating Output	Cooling Output	MCA	MOP	Sound
101100086	Q95RD-024K	2	13.4	10.6	6.7	23.8 MBH	23.6 MBH	16.1	25 A	76/77 dB
101100087	Q95RD-030K	2.5	13.4	10.6	6.7	29.4 MBH	28.6 MBH	20.5	30 A	74/76 dB
101100088	Q95RD-036K	3	13.4	10.6	6.7	32.8 MBH	34.2 MBH	23.7	35 A	77/77 dB
101100089	Q95RD-042K	3.5	13.4	10.6	6.7	40 MBH	41 MBH	29.4	45 A	77/79 dB
101100090	Q95RD-048K	4	13.4	10.6	6.7	46 MBH	46 MBH	31.0	50 A	75/76 dB
101100091	Q95RD-060K	5	13.4	10.6	6.7	58.5 MBH	55.5 MBH	39.0	60 A	75/77 dB

1) Refer to AHRI listings for actual capacities and performance data.
 2) Electrical data for unit-only, which does not include the addition of a field-installed electric heater.

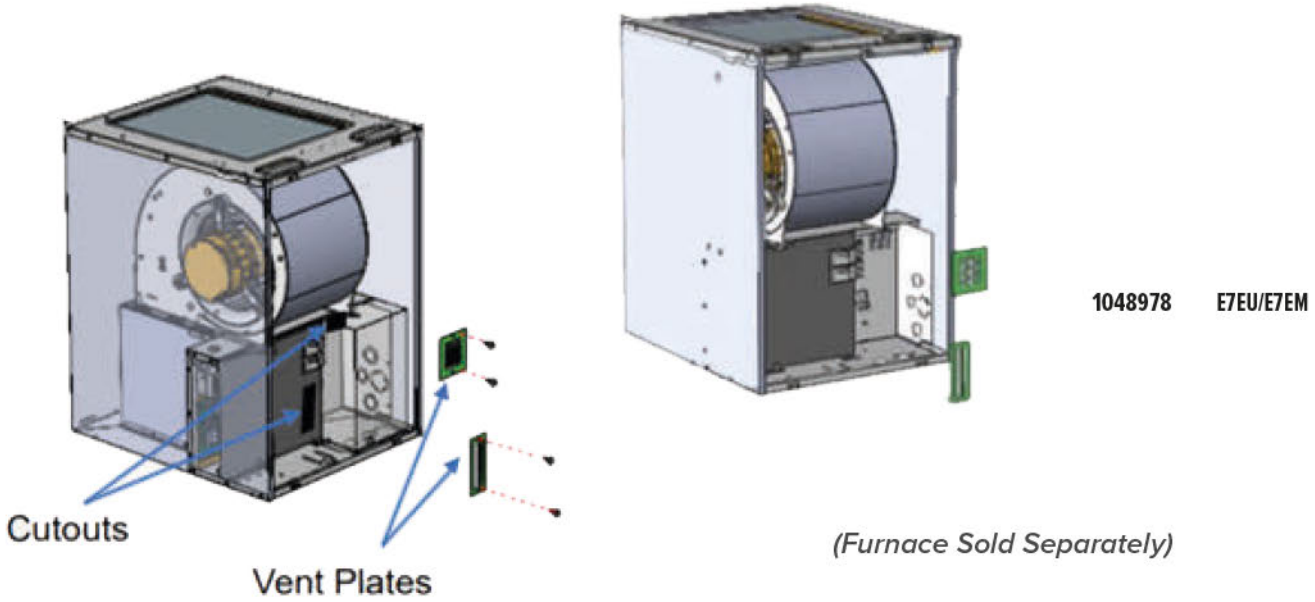


PACKAGED UNITS

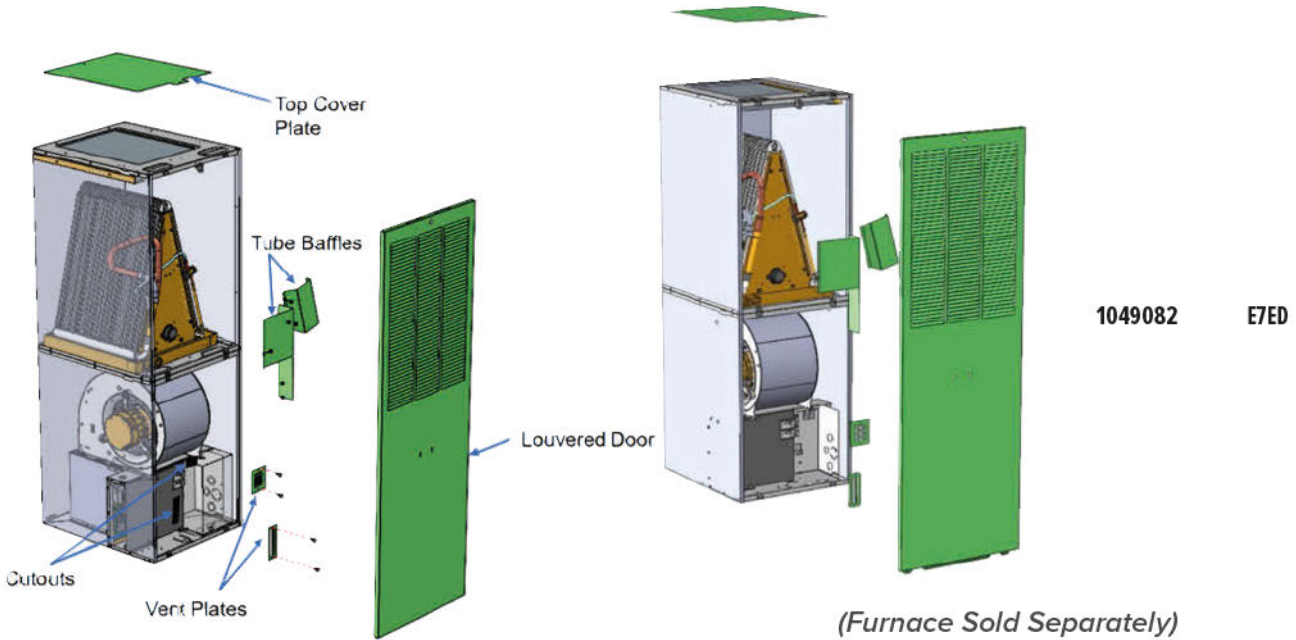
A2L Retrofit Kits for Legacy MH Furnaces

Item #	Model
--------	-------

Retrofit Kit, E7EU/E7EM, No Doors, A2L

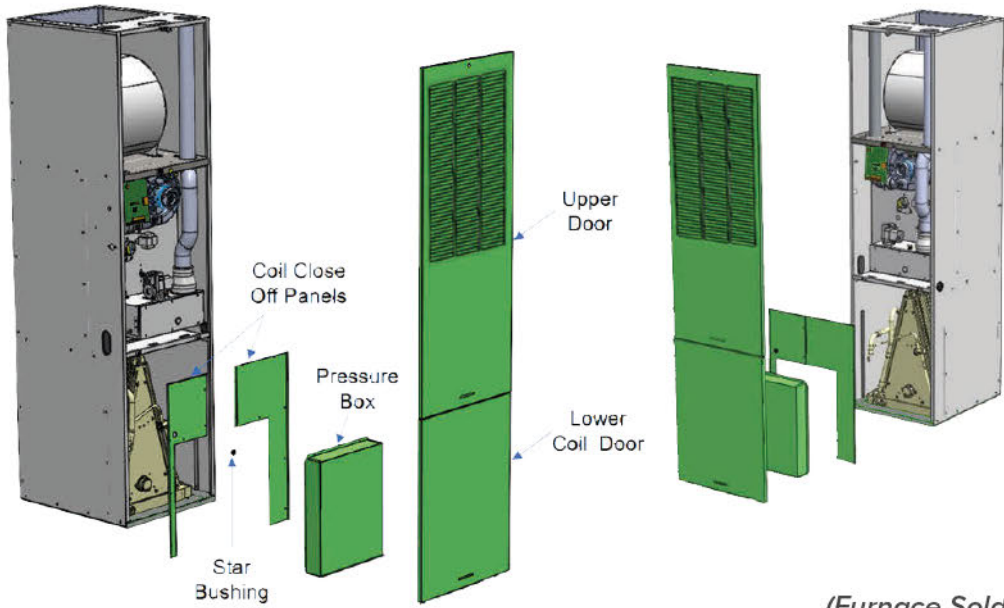


Retrofit Kit, E7ED, Downflow w/ Tall Coil Box-31.5"H, A2L



Item #	Model
--------	-------

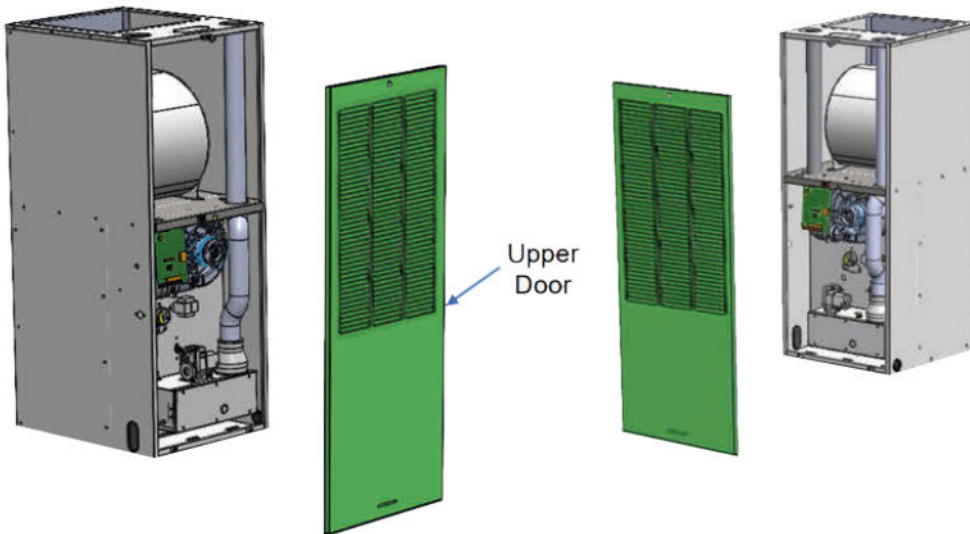
Retrofit Kit, MG2R, Front Return, Tall Coil Box-27"H, A2L



1048971 MG2R

(Furnace Sold Separately)

Retrofit Kit, MG2R, Front Return, No Coil Box, A2L

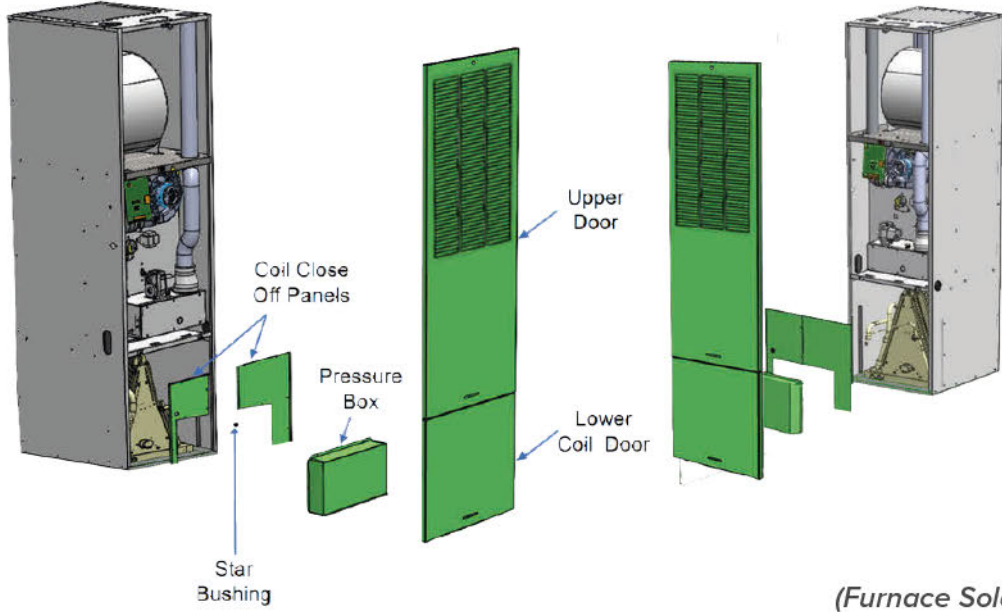


1048972 MG2R

(Furnace Sold Separately)

Item #	Model
--------	-------

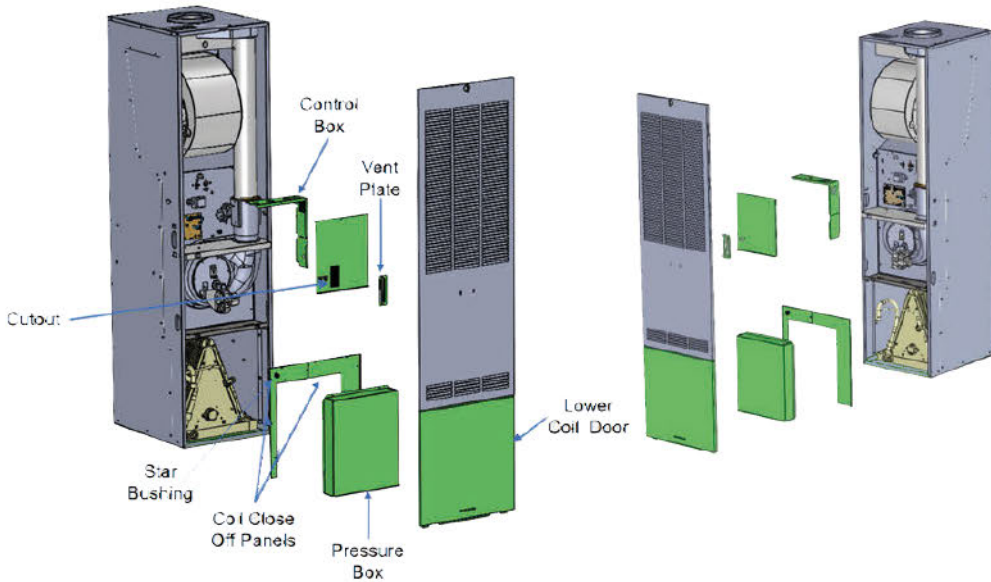
Retrofit Kit, MG2R/S, Front Return, Short Coil Box-20"H, A2L



1048973 MG2S

(Furnace Sold Separately)

Retrofit Kit, MG1E, Short Coil Box-20"H, A2L

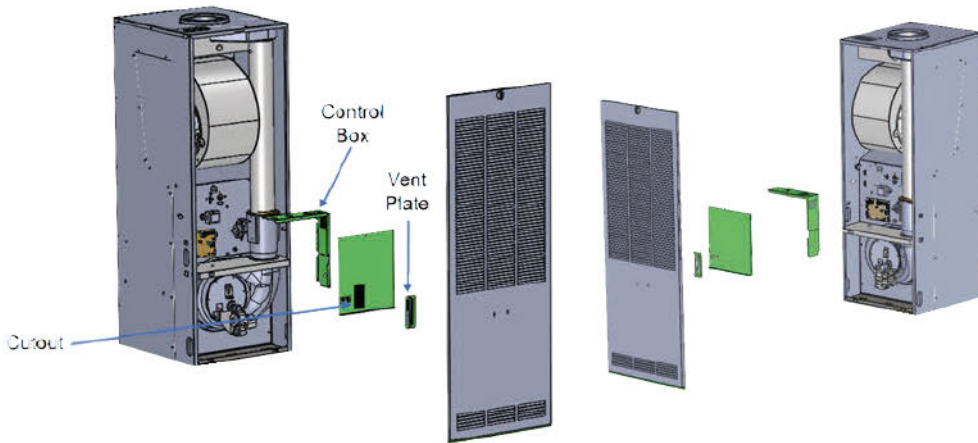


1048974 MG1E

(Furnace Sold Separately)

Item #	Model
--------	-------

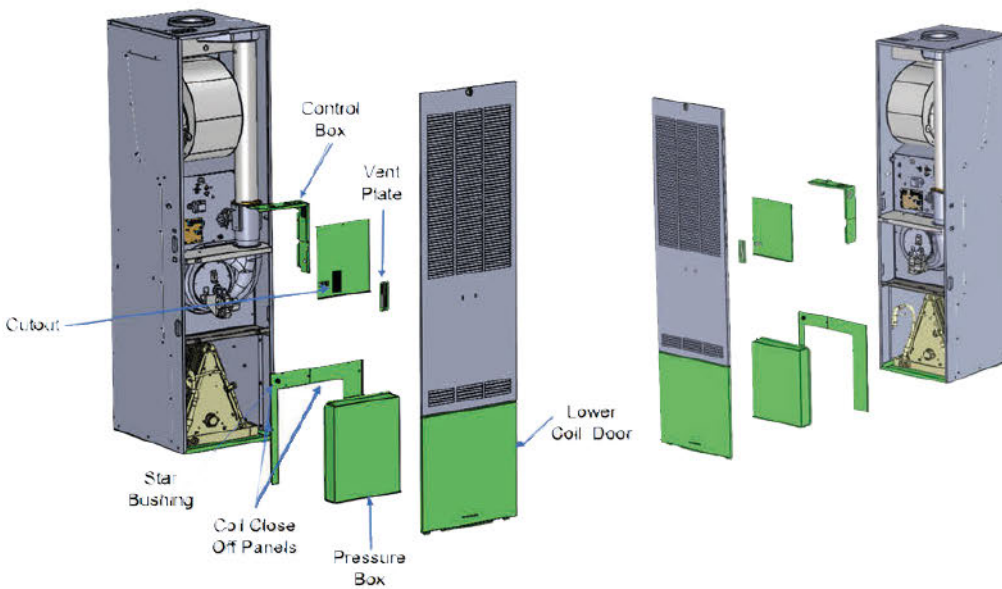
Retrofit Kit, MG1E, No Coil Box, A2L



1048975 MG1E

(Furnace Sold Separately)

Retrofit Kit, M5SB, Short Coil Box-20"H, A2L

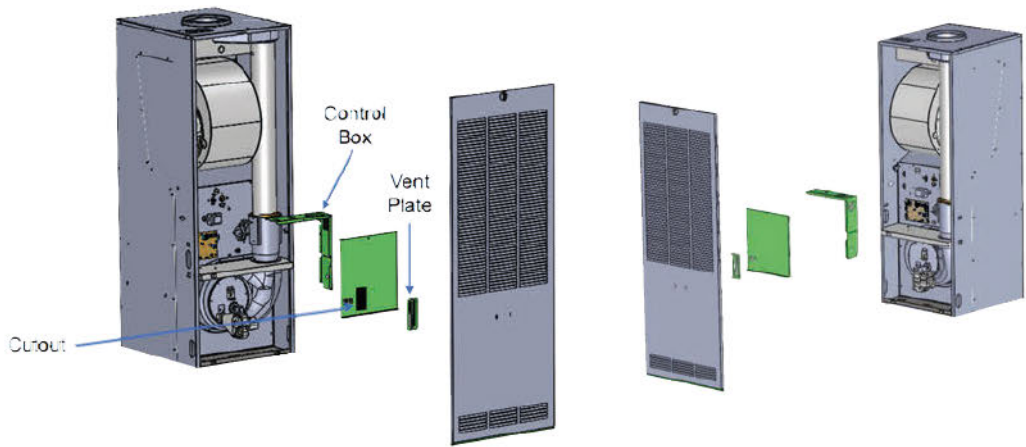


1048976 M5SB

(Furnace Sold Separately)

Item #	Model
--------	-------

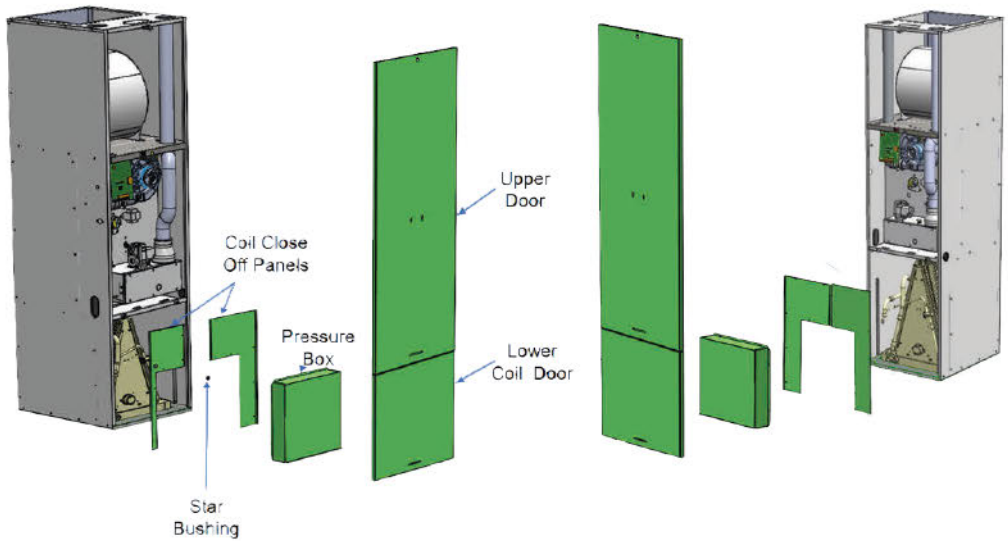
Retrofit Kit, M5SB, No Coil Box, A2L



1048977 M5SB

(Furnace Sold Separately)

Retrofit Kit, MG2R/S, Top Return, Short Coil Box-20"H, A2L

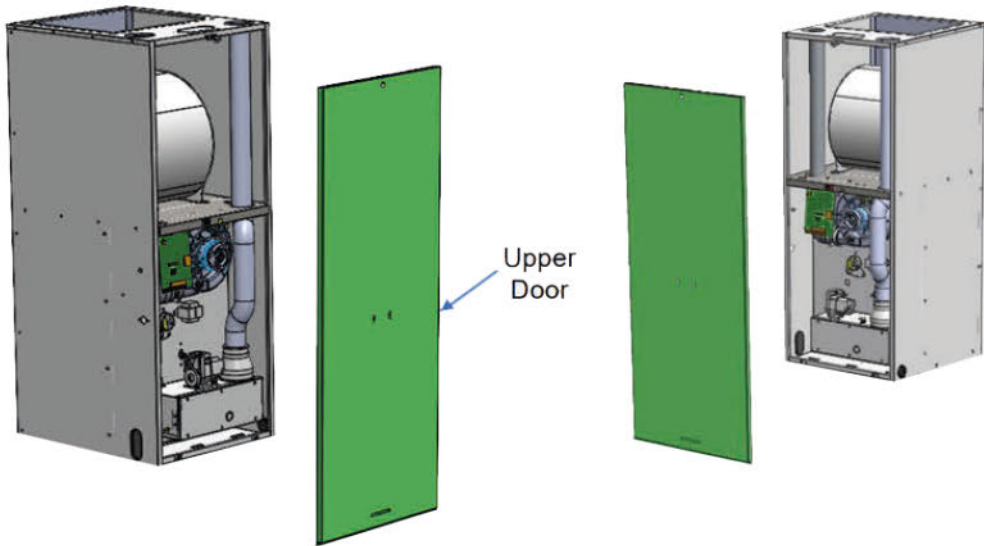


1049084 MG2S

(Furnace Sold Separately)

Item #	Model
--------	-------

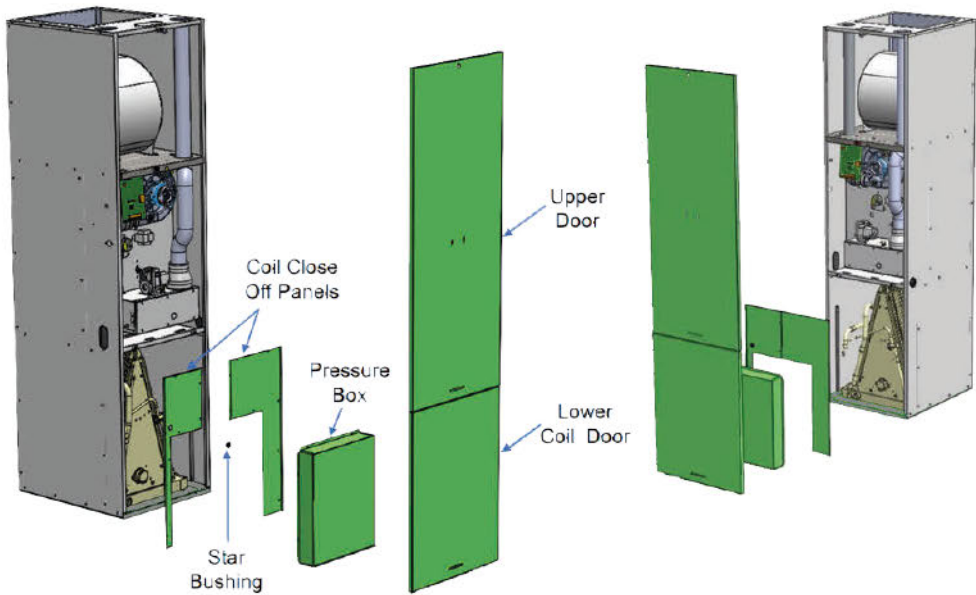
Retrofit Kit, MG2R, Top Return, No Coil Box, A2L



1049085 MG2R

(Furnace Sold Separately)

Retrofit Kit, MG2R, Top Return, Tall Coil Box-27"H, A2L



1049086 MG2R

Accessories

Adapter Kit



Item #
903456 Combustion Air Inlet Adapter Kit. Each. USED WITH: CMF3, CMF2

This item is available as drop-ship only (not stocked), where a non-cancellable order minimum and longer lead-time may apply.

Backflow Dampers



Item #
901083 1-Blade Cooling Backflow Damper for Empty Coil Box in Combustion Furnaces. Each. USED WITH: MG2R, MG2S, MG1E, M5SB - with a coil box AND Packaged Unit



Item #
902095 3-Blade Low Profile Cooling Backflow Damper for Combustion Furnaces. Each. USED WITH: CMF3, CMF2, MG2R, MG2S, MG1E, M5SB and Packaged Unit

Blower Upgrade Kits



Item #
1044062 E7, High-Static, Blower, M1, 4THP+. Each. USED WITH: E7ED, E7EM, E7EU

Ceiling Rings



Item #
902521 Adjustable, Ceiling, Trim Ring, Halves for Rough, Roof Jack Opening. Each. USED WITH: MG1E, M5SB

Circuit Adapter



Item #
1039295 4-Pole, Single Circuit Adapter (less than 3 breakers). Each. USED WITH: P95, Q95, E7

Circuit Breaker



Item #
913554 1-Phase, 2-Pole, Circuit Breaker, 60 A. Each. USED WITH: P95, Q95

Coil Boxes



Item #
101200002 Coil Box, 20"H, Field-Installed, Central Air Each. USED WITH: MG2R, MG1E, M5SB



Item #
101200003 Coil Box, 26"H, Field-Installed, Central Air Each. USED WITH: MG2R, MG1E, M5SB



Item #
101200000 Downflow Coil Box with Louvered Door, 31-1/2"H (Front Return). Each. USED WITH: E7EM



Item #
101200001 Upflow Coil Box with Solid Door, 31-1/2"H. Each. USED WITH: E7EM

Concentric Vent Kits



Item #
904952 2"Ø Concentric Vent Pipe Termination Kit, US/CA. Each. USED WITH: MG2R, MG3P

Item #
904953 3"Ø Concentric Vent Pipe Termination Kit, US/CA. Each. USED WITH: MG2R, MG2S, MG3P

Condensate Drain Trap



Item #
5015411 3/4" Slip x 3/4" Slip, White, PVC, Condensate Drain, P-Trap. Each.

Condensate Safety Switch



Item #
CS-2 Pipe-Mounted, Condensate, Overflow, Safety Switch. Each. USED WITH: C85

Conduit - Liquid Tight



Item #
598040 1/2" x 100' Liquid Tight Conduit. Roll.
598041 3/4" x 100' Liquid Tight Conduit. Roll.

Conduit Assemblies



Item #
598071 1/2" x 4', #10 Wire-Whip Conduit Kit HVAC equipment power connections. Each.
598073 1/2" x 6', #10 Wire-Whip Conduit Kit HVAC equipment power connections. Each.
598077 3/4" x 6', #8 Wire-Whip Conduit Kit HVAC equipment power connections. Each.
598079 3/4" x 6', #6 Wire-Whip Conduit Kit HVAC equipment power connections. Each.

Conversion Kit



Item #
903100 Conversion Kit, 65MBH Input, CMF2-Oil. Each. USED WITH: CMF2
903102 Conversion Kit, 90MBH Input, CMF2-Oil. Each. USED WITH: CMF2

Cottage Base



Item #
901696 CB-200A Cottage Base. Each. USED WITH: CMF3, CMF2

This item is available as drop-ship only (not stocked), where a non-cancellable order minimum and longer lead-time may apply.

Digimotor Diagnostic Tool



Item #
921767 E7, Broad Ocean, ECM, Digimotor, Diagnostic Tool. Each. USED WITH: E7ED, E7EM, E7EU

This item is available as drop-ship only (not stocked), where a non-cancellable order minimum and longer lead-time may apply.

Draft Cap



Item #
522086 Draft Cap for 4" Single Pipe Flue or Exhaust Fan. Each.

Duct Collar with Tabs



Item #
110010 10" Collar with Tabs. Each.
110120 12" Collar with Tabs. Each.
110140 14" Collar with Tabs. Each.

Duct Collars



Item #
294941 12"Ø, Metal, Duct Collar. Each. USED WITH: Flex Duct, P95, Q95



294942 14"Ø Duct Collar. Each. USED WITH: Flex Duct, P95, Q95

Duct Connectors



Item #
901988A 11-1/4" x 13-1/2" x 2"H Duct Connector. Each. USED WITH: E7, MG1E, MG2R, MG2S, M5SB
901987A 11-1/4" x 13-1/2" x 7/8"H Duct Connector. Each. USED WITH: E7, MG1E, MG2R, MG2S, M5SB

Duct Connectors



Item

901989A
11-1/4" x 13-1/2" x 4-1/4"H Duct Connector.
Each.

USED WITH: E7, MG1E, MG2R, MG2S, M5SB

901990A

11-1/4" x 13-1/2" x 6-1/4"H Duct Connector.
Each.

USED WITH: E7, MG1E, MG2R, MG2S, M5SB

901991A

11-1/4" x 13-1/2" x 8-1/4"H Duct Connector.
Each.

USED WITH: E7, MG1E, MG2R, MG2S, M5SB

901992A

11-1/4" x 13-1/2" x 10-1/4"H Duct Connector.
Each.

USED WITH: E7, MG1E, MG2R, MG2S, M5SB

901993A

11-1/4" x 13-1/2" x 12-1/4"H Duct Connector.
Each.

USED WITH: E7, MG1E, MG2R, MG2S, M5SB

902990

E7/RE9, Upflow Furnace, Duct, Connector.
Each.

USED WITH: E7EM, E7EU



Duct Transition



Item

1112108
12"Ø to 10"Ø Round Duct Transition Reducer/Incraser.
Each.

USED WITH: P95, Q95

1114128

14"Ø to 12"Ø Round Duct Transition Reducer/Incraser.
Each.

USED WITH: P95, Q95

Electrical Box Connectors



Item

598042
1/2" Straight Electrical Box Connector.
Each.

598043

3/4" Straight Electrical Box Connector.
Each.

598045

1/2", Electrical Box, 90°, Elbow Connector.
Each.

598046

3/4", Electrical Box, 90°, Elbow Connector.
Each.



Electrical Disconnect Box



Item

598064
Electrical Disconnect Box, Non-fused, 60 Amp.
Each.

Equipment Pads



Item

1124242D
24" x 24" x 2", UV Plastic, Equipment Pad.
Each.

1124243D

24" x 24" x 3", UV Plastic, Equipment Pad.
Each.

1133333D

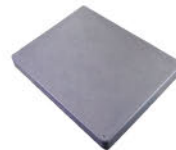
33" x 33" x 3", UV Plastic, Equipment Pad.
Each.

1136363D

36" x 36" x 3", UV Plastic, Equipment Pad.
Each.

1136483D

36" x 48" x 3", UV Plastic, Equipment Pad.
Each.



1145583D

45" x 58" x 3", 33lb, UV Plastic, Equipment Pad.
Each.



H3652-4

36" x 52" x 4", 140lb, Concrete, Hurricane-150MPH,
Equipment Pad.
Each.



H3865-4

38" x 65" x 4", 170lb, Concrete, Hurricane-150MPH,
Equipment Pad.
Each.

Equipment Riser



Item

110006
6" Pad-mount Heat Pump Riser. (4+ required per unit)
Each.
USED WITH: HSH4, Q95

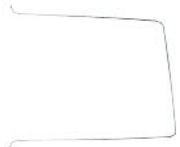
Fan Delay Kit



Item

6918.5011
18s, Fan, Time-Delay, Relay (TDR) Kit.
Each.

Filters



Item #
110611 16" x 20", Spun Plastic, Trimmable, Washable, Filter. Each.
1122515 20" x 16" x 1" Disposable Spun Fiberglass Filter. Each.
1122517 20" x 20" x 1" Disposable Spun Fiberglass Filter. Each. USED WITH: 1014501
1196935689 19" x 16" Permanent Metal Mesh Washable Filter. 2-Piece Pair. Each.
669064R 19-1/2" x 28" x 1/2", Washable, Hogs Hair, Return Air, Furnace Filter. Each. USED WITH: MG1E, M5SB, 669065R
669363R 20" x 22" x 1/2", Washable, Hogs Hair, Return Air, Furnace Filter. Each. USED WITH: MG2R, MG2S, 669065R
669065R M1/M5 Furnace, Filter, Retainer Wire. Each. USED WITH: MG1E, M5SB, MG2R, MG2S, 669064R, 669363R
1007623R 18" x 30" x 1" Disposable Spun Fiberglass Return Air Filter. Each. USED WITH: E7ED, 1012000000
668860R 18" x 20" x 1", Disposable, Spun Fiberglass, Return Air, Furnace Filter. Each. USED WITH: E7EM, E7ED, 1014501

Flashing



Item #
601050 10" x 50', Aluminum, Flashing. Each (6/Box).
6010501 10" x 50' Galvanized Steel Flashing. Each (6/Box).
60850 8" x 50', Aluminum, Flashing. Each.

Flex Duct



Item #
1101025 10" x 25', R4.2, Flex Duct. Each.
1101225 12" x 25', R4.2, Flex Duct. Each.
1101425 14" x 25', R4.2, Flex Duct. Each.
1181225 12" x 25', R8, Flex Duct. Each.
1181425 14" x 25', R8, Flex Duct. Each.

Metal Registers



Item #
11CL410B 4" x 10", Brown, Metal, Register. Each.
11CL410W 4" x 10", White, Metal, Register. Each.
11CL412B 4" x 12", Brown, Metal, Register. Each.
11CL412W 4" x 12", White, Metal, Register. Each.
11CL48B 4" x 8", Brown, Metal, Register. Each.
11CL48W 4" x 8", White, Metal, Register. Each.

Plastic Registers



Item #
1178401 4" x 10", White, Plastic, Register. Each.



1178407 4" x 10", Brown, Plastic, Register. Each.



1178481 4" x 8", White, Plastic, Register. Each.



1178487 4" x 8", Brown, Plastic, Register. Each.

Plastic Drawbands



Item #
110225 36", White, Plastic, Drawbands. Each.

110248 48", White, Plastic, Drawbands. Each.

Metal Wyes



Item #
11121010 12"Ø x 2-10"Ø Metal Wye Adapters. Each. USED WITH: Flex Duct, P95, Q95 (Double Wide)

11121212 12"Ø x 2-12"Ø Metal Wye Adapters. Each. USED WITH: P95, Q95 - Multi-section Applications

111412 14"Ø x 2-12"Ø Metal Wye Adapters. Each. USED WITH: Flex Duct, P95, Q95 (Double Wide)

11141414 14"Ø x 2-14"Ø Metal Wye Adapters. Each. USED WITH: Flex Duct, P95, Q95 (Double Wide)

Mild Weather Kit



Item #
921956 Mild Weather Kit for Heat Pumps Operating in Warmer Outdoor Temperatures. Each. USED WITH: HSH4

NE Safety Kit

Item #
901855 New England Safety Kit (Required in MA). Each. USED WITH: CMF2

Packaged Unit Electric Heater Kits



Item #
W3P0502 5kW, 240V/1/60, Resistance, Electric Heater Kit without Breakers for Carrier Packaged Units. Each. USED WITH: P95, Q95

W3P0802 8kW, 240V/1/60, Resistance, Electric Heater Kit without Breakers for Revolv Packaged Units. Each. USED WITH: P95, Q95

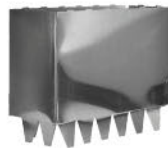
W3P1002 10kW, 240V/1/60, Resistance, Electric Heater Kit without Breakers for Revolv Packaged Units. (DISCONTINUED) Each. USED WITH: P95, Q95

W3P1502 15kW, 240V/1/60, Resistance, Electric Heater Kit without Breakers for Revolv Packaged Units. Each. USED WITH: P95, Q95

W3P1502B 15kW, 240V/1/60, Resistance, Electric Heater Kit with Breakers (Drop-ship Only) for Revolv Packaged Units. Each. USED WITH: P95, Q95

W3P2002B 15kW, 240V/1/60, Resistance, Electric Heater Kit with Breakers (Drop-ship Only) for Revolv Packaged Units. Each. USED WITH: P95, Q95

Register Collars



Item #
114106 10"W x 4"L x 6"D Register Supply Collar. Each.

11486 8"W x 4"L x 6"D Register Supply Collar. Each.

Return Air Boxes



Item #
111220BRN Grille-Only for Return Air Box w/ 115012 or 115014. Each. USED WITH: P95, Q95

115012 12" Ø Return Air Box with Grille and Filter. Each. USED WITH: Flex Duct, P95, Q95

115014 14" Ø Return Air Box with Grille and Filter. Each. USED WITH: Flex Duct, P95, Q95

Roof Jack Crown



Item #
104781000 Roof Jack, Replacement, Crown Assembly. Each. USED WITH: CMF3, CMF2
903656 Roof Jack, Crown-Only (Post-Transit). Each. USED WITH: MG1E, M5SB

Roof Jack Extension Assembly



Item #
104360001 SRJ Extension Assembly, 4"x18". Each. USED WITH: CMF3, CMF2

Roof Jack Extensions



Item #
901935 Roof Jack Extension, 10"H, Internal. Each. USED WITH: MG1E, M5SB
901937 Roof Jack Extension, 16"H, External. Each. USED WITH: MG1E, M5SB
903107 Roof Jack Extension, 18"H, Internal. Each. USED WITH: MG1E, M5SB

Cloth Duct Tape



Item #
602603 2"W x 180'L, Silver, Cloth, Duct, Tape. Each (24/Carton).
602857B 2"W x 180'L, UL181B-FX, Black, Cloth, 557, Duct Tape. Each (24/Carton).
602609 2"W x 180'L, Black, Cloth, Duct Tape. Each (24/Carton).

Coated Fabric Tape



Item #
602825 28"W x 25'L, FLEX-MEND, Polyethylene Film, Tape Roll with Solid-coated Adhesive and Paper Backer, for Any Size Patch. Each (20/Carton).
60600 6"W x 180'L, FLEX-MEND, Polyethylene Film, Tape Roll with Solid-coated Adhesive and Paper Backer. Intended to Repair Long Slits Around AC or Water Lines. Each (12/Carton).

Foil Tape



Item #
602509 2"W x 150'L, Aluminum Foil Tape with Liner. Each (24/Carton).

Woven Strap



Item #
6014932 Woven Polypropylene Fabric Strap, 1-3/4" x 300'. Each. USED WITH: Flex Duct, P95, Q95

Galvanized Pipe Hanger Strap



Item #
116507 3/4" x 100', 28-Gauge, Galvanized Steel, Pipe Hanger Strap. Each (10/Box).

Plastic Pipe Hanger Strap



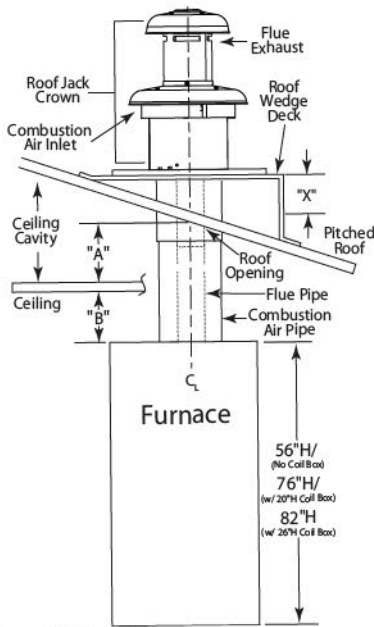
Item #
1113038 3/4" x 100', Plastic Pipe Hanger Strap, 0.05" Thick. Each (20/Box).

Stove Bolt



Item #
651434 Pipe Strap (Stove) Bolt with Hex Nut, 3/4"L x 1/4". Box (100/Box).

Roof Jacks - MG1E/M5SB



Roof Wedges



Item #	Packaging Dimensions	Roof Jack Length Range	Pitch
903658	16-1/2"D x 16-1/4"W x 35-1/2"H	15" - 23"	0" ↑ 12" →
903659	16-1/2"D x 16-1/2"W x 41-1/2"H	21" - 35"	0" ↑ 12" →
903660	16-1/2"D x 16-1/2"W x 47-1/2"H	27" - 47"	0" ↑ 12" →
903662	16-1/4"D x 16"W x 41-1/4"H	21" - 35"	2.5" ↑ 12" →
903663	16-1/2"D x 16-1/2"W x 47-1/2"H	27" - 47"	2.5" ↑ 12" →
903664	17"D x 21-1/2"W x 55-1/2"H	35" - 63"	2.5" ↑ 12" →
903665A	17"D x 21-1/2"W x 55-1/2"H	35" - 63"	4" ↑ 12" →
903666A	16-1/2"D x 21-1/2"W x 72"H	51" - 95"	4" ↑ 12" →
903678A	16-1/2"D x 21-1/4"W x 47-1/2"H	27" - 47"	4" ↑ 12" →
920638	16-1/2"D x 21-1/2"W x 72"H	51" - 95"	2.5" ↑ 12" →

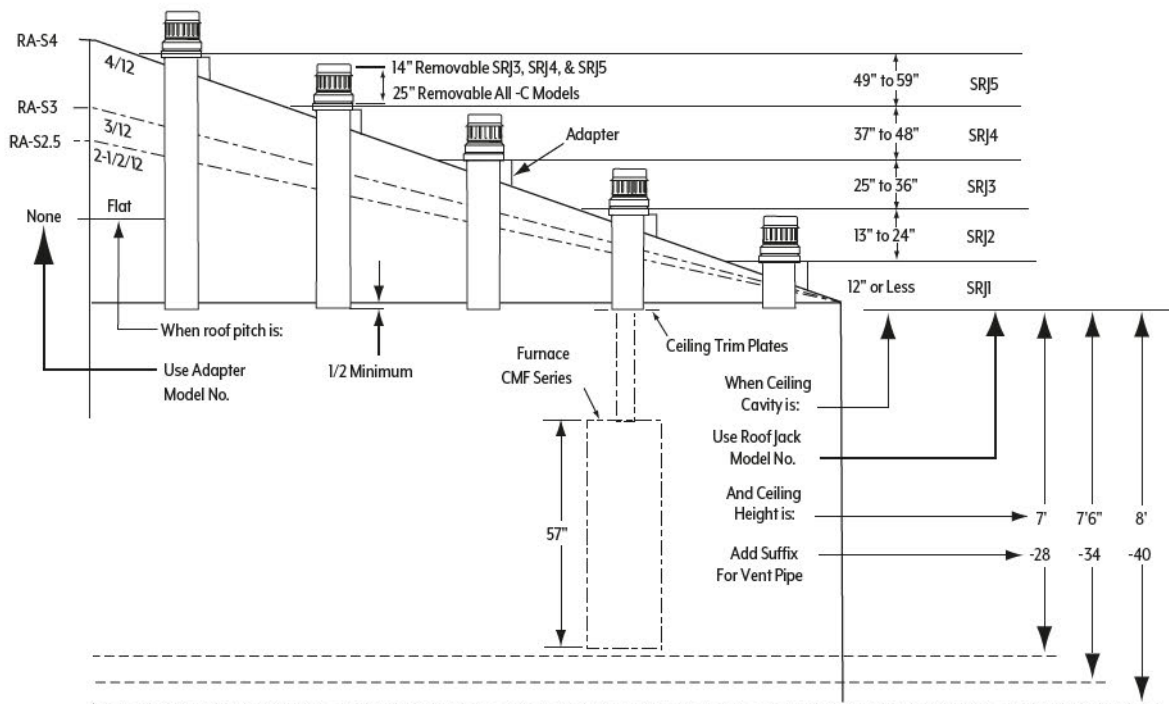
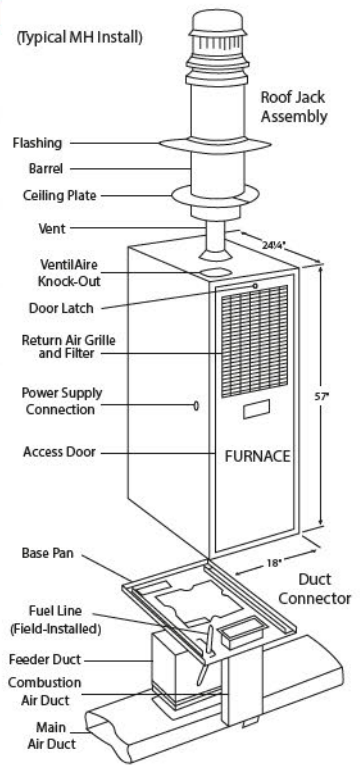
NOTES: Not for use with 4" ↑ x 12" → Pitch Roof Jacks.
 Roof Jack Length = "A" + "B" + "X".
 "X" is included only if a wedge is used, see table for "X-Value".
 "A" = Roof Height - Ceiling Height.
 "B" = Ceiling Height - Furnace Height.
 Measure with respect to Roof Jack center-line.
 The calculated Roof Jack Length must be within the "Range".
 0" ↑ x 12" → Flashing flexes from 0/12 to 1/12.
 2-1/2" ↑ to 12" → Flashing flexes from 1/12 to 4/12.
 4-1/2" ↑ to 12" → Flashing flexes from 3/12 to 5/12.

Item #	Total Pitch with 0" ↑ x 12" → Roof Pitch	Total Pitch with 2-1/2" ↑ x 12" → Roof Pitch	X-Value
903893 2" ↑ x 12" → Roof Wedge USED WITH: CMF2, CMF3, MG1E, M5SB	2" ↑ x 12" →	4-1/2" ↑ x 12" →	2-1/8"
	2-1/2" ↑ x 12" →	5" ↑ x 12" →	2-1/2"
903894 3" ↑ x 12" → Roof Wedge USED WITH: CMF2, CMF3, MG1E, M5SB	3" ↑ x 12" →	5-1/2" ↑ x 12" →	2-7/8"
	3-1/2" ↑ x 12" →	6" ↑ x 12" →	3-1/4"
903895 4" ↑ x 12" → Roof Wedge USED WITH: CMF2, CMF3, MG1E, M5SB	4" ↑ x 12" →	6-1/2" ↑ x 12" →	3-5/8"

Roof Jacks - CMF



Item #
104060000 SRJ1 Roof Jack, 0/12, 0-12", 1PC, CMF. USED WITH: CMF2, CMF3
104060003 SRJ2 Roof Jack, 0/12, 13-24", 1PC, CMF. USED WITH: CMF2, CMF3
104060015 SRJ3 Roof Jack, 0/12, 25-36", 2PC, CMF. USED WITH: CMF2, CMF3
104060018 SRJ4 Roof Jack, 0/12, 37-48", 2PC, CMF. USED WITH: CMF2, CMF3
104060024 SRJ5 Roof Jack, 0/12, 49-59", 2PC, CMF. USED WITH: CMF2, CMF3



NOTES:
 SRJ1 & SRJ2 Models are one piece construction
 SRJ3, SRJ4, & SRJ5 Models are two piece construction
 -C Models are two piece construction

OPTIONAL:
 Add -C for Raised Inlet Models (Example: SRJ3-34-C)
 Roofjack Adapter (for mounting roof jack on pitched roof)
 Protective Cap (used when top of roofjack is removed)

Sweat Fit Line Sets



Item #
13S7525 25 ft, Copper, 3/4" Ø Suction Line, 3/8" Ø Liquid Line, 1/2" Closed-cell Foam Insulated Suction Line. Each. USED WITH: HSA4, HSH4
13S7530 30 ft, Copper, 3/4" Ø Suction Line, 3/8" Ø Liquid Line, 1/2" Closed-cell Foam Insulated Suction Line. Each. USED WITH: HSA4, HSH4
13S7550 50 ft, Copper, 3/4" Ø Suction Line, 3/8" Ø Liquid Line, 1/2" Closed-cell Foam Insulated Suction Line. Each. USED WITH: HSA4, HSH4
13S7825 25 ft, Copper, 7/8" Ø Suction Line, 3/8" Ø Liquid Line, 1/2" Closed-cell Foam Insulated Suction Line. Each. USED WITH: HSA4, HSH4
13S7830 30 ft, Copper, 7/8" Ø Suction Line, 3/8" Ø Liquid Line, 1/2" Closed-cell Foam Insulated Suction Line. Each. USED WITH: HSA4, HSH4
13S7850 50 ft, Copper, 7/8" Ø Suction Line, 3/8" Ø Liquid Line, 1/2" Closed-cell Foam Insulated Suction Line. Each. USED WITH: HSA4, HSH4

NOTE: Must seal ends of insulated line(s) upon installation.

Supply and Return Air Kit



Item #
112012 Supply and Return Air Kit. Each. USED WITH: Flex Duct, P95, Q95

Thermostats



Item #
111001 Cool-Only Thermostat. (No Changeover). Each.
111002 Heat-Only Thermostat. (No Changeover). Each.
111003 1Ht-1Cl, MCO-Manual Changeover, Heat and Cool, 5-Wire, Thermostat. Each.
111004 2Ht-1Cl, MCO, Digital, Programmable, Heat Pump, Thermostat. Each.



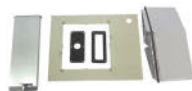
111005 2Ht-1Cl, MCO, Digital, Non-Programmable, Heat Pump, Thermostat. Each.
111006 1Ht-1Cl, MCO, Digital, Programmable, Thermostat. Each.
111007 1Ht-1Cl, MCO, Digital, Non-Programmable, Thermostat. Each.
111010 2Ht-1Cl, MCO/ACO, Digital, Programmable, Dual Fuel Capable, LCD Touchscreen, Thermostat. Each.

Tie-Down Kits



Item #
1010032 Standard Condenser Pad Mounting Kit. Each. USED WITH: HSA4, HSH4
NCUTD8KG Condenser Tie-down/Mounting Kit, 8-Brackets, Florida-certified. Each. USED WITH: HSA4, HSH4

Universal Base Packages



Item #
903450 MA-100 Universal Base Package with 8" Feeder Duct. Each. USED WITH: CMF3, CMF2
903451 MA-100 Universal Base Package with 13" Feeder Duct. Each. USED WITH: CMF3, CMF2
903453 MA-200 Base Package with 8" Feeder Duct. Each. USED WITH: CMF3, CMF2

Universal Hard-Start Kit



Item #
912933 Universal Hard-Start Assist. Each.

Upflow Stand



Item #
1014501 Upflow Stand with Door. Each. USED WITH: E7EU, E7EM

Vent Pipes



Item #
103947002 28"H Furnace to SRJ# Vent Pipe. Each. USED WITH: CMF3, CMF2

103947004 34"H Furnace to SRJ# Vent Pipe. Each. USED WITH: CMF3, CMF2

103947005 40"H Furnace to SRJ# Vent Pipe. Each. USED WITH: CMF3, CMF2



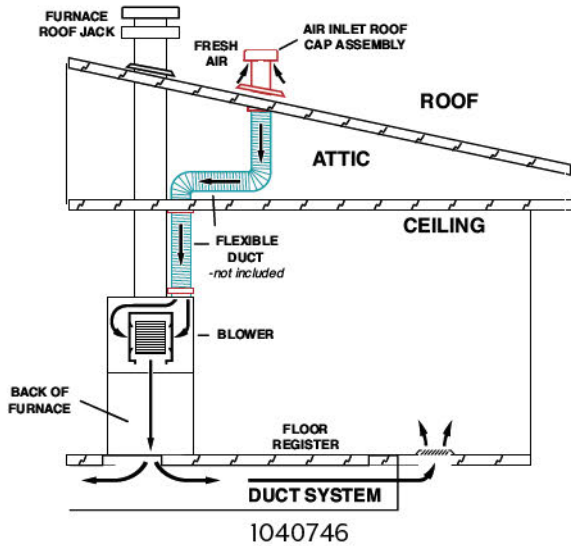
901697 Offset Vent Pipe. Each. USED WITH: CMF3, CMF2

Vent Transition Kit



Item #
904106 2-Pipe Vent Transition Kit (old RJ opening). Each. USED WITH: MG2R, MG2S

VentilAire™ Kits



Item #
1040746 VentilAire™ III Kit, Whole Home Fresh Air, Sloped Roof. Each. USED WITH: E7, CMF3, CMF2, M5SB, MG1E, MG2S, MG2R, MG3P
914229B VentilAire™ IV Kit, Whole Home Fresh Air, Sloped Roof. Each. USED WITH: E7, CMF3, CMF2, M5SB, MG1E, MG2S, MG2R
917201A VentilAire™ III, Soffit Vent System Kit. Each. USED WITH: E7, CMF3, CMF2, M5SB, MG1E, MG2S, MG2R



Limited PARTS Warranty

Manufactured Housing warranty effective for equipment manufactured on or after January 01, 2025

STANDARD ONE YEAR LIMITED PARTS WARRANTY:

Style Crest extends a Standard Limited Warranty on the parts of manufactured housing equipment for a period of one year from the original purchase date by the original purchasing homeowner only. **All coverage terminates to any other subsequent owner, with the exception of the states Florida and Texas.** If any part fails due to defects in materials or workmanship under normal use within one year from the date of original purchase, a replacement part will be provided and any applicable freight costs will be the owner's responsibility. **Style Crest** will not pay for parts purchased in the field from sources other than a **Style Crest** distributor. Replacement parts are warranted only for the balance of the original warranty period. Parts purchased for equipment outside of the warranty period have a 1 year limited parts warranty.

Fixed amount 1 year limited labor coverage is paid directly to the distributor or servicing contractor. Any expenses charged by the servicing contractor above the amounts provided by **Style Crest** are the homeowner's responsibility. A Revolv indoor coil installed with another brand of condenser or furnace is excluded from this labor coverage.

Split System Outdoor Units

Coverage includes the standard 1 year limited parts and 5 year limited compressor warranty. If registered with an AHRI match system, within 60 days of installation, coverage is extended to 5 year limited parts and 10 year limited compressor.

Split System Indoor Coils (Multi-brand Systems)

Coverage on a Revolv indoor coil installed with another condenser or furnace brand, includes 5 year limited parts.

All Package Units

Coverage includes the standard 1 year limited parts and 5 year limited compressor warranty. If registered, within 60 days of installation, coverage is extended to 10 year limited parts including the compressor.

Furnace Warranty

Below 90% Gas and Oil, and Electric furnaces, and Air Handlers coverage includes the standard one year limited parts warranty. If registered with an AHRI match system (3-piece match system, i.e. furnace+coil+outdoor (OR) air handler+coil+outdoor) within 60-days of installation or occupancy, coverage is extended to 5 year limited parts.

90%+ Gas and Oil furnaces

Coverage includes the standard one year limited parts warranty. If registered within 60 days of installation or occupancy, coverage is extended to 5 year limited parts.

Additional Heat Exchanger Parts Coverage for Gas/Oil Furnaces and Gas Package Units:

Below 90% AFUE furnaces and gas /electric packaged systems: 10 year limited heat exchanger warranty.
90+% AFUE furnaces: 20 year limited heat exchanger warranty.

Appliance Trade-in Option:

If a replacement part is not available for this unit, Style Crest will not issue a refund for the unit, but will issue a credit to a Style Crest distributor for the part. The credit will be passed to the service firm and then to the user/owner of the appliance and be applied to the purchase of a new Revolv unit.

Consumer Registration:

Register online at <https://www.stylecrestinc.com/warranty-registration/> or, for assistance, please call your installer. For extended registered warranty terms to apply, registration must be completed within **60 days** of installation or occupancy. For split systems, below 90% AFUE and Electric furnaces, and Air Handlers, a complete Revolv AHRI matched system must be installed. For equipment not registered or matched, the unregistered base warranty applies.

Before you Register What do I need to get started?

- The serial number and model number for each piece of equipment you purchased.
- The date of installation or occupancy.
- (Optional) The name and address for the dealer or contractor who installed your equipment.

WARRANTY EXCLUSIONS

1. Electricity or fuel costs, or increases in electricity or fuel costs from any reason whatsoever, including additional or unusual use of supplemental electric heat.
2. Equipment ordered over the internet, other than from a Style Crest authorized distributor, is not covered.
3. Failure and replacement caused by contamination from bacteria are excluded from warranty coverage (i.e. dirty sock syndrome). Consequential or other damage(s) caused by rust, brownouts, soot, blackouts, oxidation, corrosion, water, water condition, freezing, fire, other abnormal environmental conditions or other natural acts are excluded from warranty coverage. Premature failure due to the use of inferior building materials such as high sulfur content dry wall, corrosive conditions caused by location, moisture, green slime, etc. are also excluded from warranty coverage.

WARRANTY EXCLUSIONS (CONTINUED)

4. This warranty does not apply to parts that fail as a direct result of environmental influences.
5. For equipment that is not a Revolv matched system per manufacturer's recommendations and the Air Conditioning Heating Refrigeration Institute (AHRI), the unregistered base warranty applies. Indoor and outdoor appliances must be installed simultaneously.



(10501450) (02/25) Page 1

WARRANTY EXCLUSIONS (CONTINUED)

6. Revolv indoor air quality products that can operate without the indoor furnace, coil or air handler such as stand-alone air cleaners, window air conditioning and humidifiers are excluded from this limited warranty.
7. Equipment must be installed per Revolv's installation instructions and by a licensed HVAC contractor. Equipment modifications including but not limited to changes in mechanical design, electrical design, airflow design, refrigerant flow or unauthorized fuel i.e. well head gas voids manufacturer's warranty.
8. The units must be installed in the 50 United States or Canada, Puerto Rico and Mexico are excluded.
9. Product registration is not required in the states of California and Florida or the Province of Quebec.
10. A Revolv indoor coil installed with another brand of condenser or furnace are excluded from fixed amount 1 year limited labor coverage.

WARRANTY CONDITIONS

1. This Revolv equipment and/or Revolv accessories must be installed by a licensed or otherwise qualified dealer or contractor, and must be installed in accordance with Revolv's installation instructions and in compliance with local codes. Improper installation may endanger the occupants of the dwelling. Malfunction caused by installation are not covered.
2. This equipment must be operated in accordance with Revolv's operating instructions provided with each unit. The product must not be misused.
3. The equipment's rating plate must not be removed or defaced.
4. If the date of original installation cannot be verified, then the warranty period begins (60) days from the date of product manufacture ship date (as indicated by the model and serial number). Proof of purchase may be required at time of service.

THERE ARE NO OTHER WARRANTIES, EXPRESS OR IMPLIED, EXCEPT AS SET FORTH ABOVE.

The foregoing warranty is exclusive and in lieu of any other warranties, express or implied, including any warranty of merchantability and any warranty of fitness for a particular purpose, and shall constitute the buyer's sole remedy and Style Crest's sole liability for the product or any parts of the product. All implied warranties of merchantability and all implied warranties of fitness for a particular purpose relating to the product or any parts of the product are hereby disclaimed. Under no circumstances shall Style Crest be liable for incidental or consequential damages resulting from breach of any express warranty.

To obtain warranty service, you are required to show the servicer a bill of sale for the equipment or other evidence of purchase to establish the original date of purchase and proof of ownership. If you suspect a defect in your equipment or are in need of service, please contact the installer of the unit to obtain assistance. If unsuccessful, please contact a Revolv dealer or Style Crest distributor in your area. If unable to obtain local assistance, please contact:

WARRANTY CONDITIONS (CONTINUED)

5. The warranty applies only to products remaining in their original installation location.
6. All equipment requires annual maintenance performed by your servicing dealer or a service technician. Filter changes and/or cleaning filters can be performed by you. You or your servicing dealer may be required to submit proof of annual maintenance, including invoices for materials and/or labor charges associated with the annual maintenance. Lack of annual maintenance or failure to provide proof of proper annual maintenance may result in denial of claims under your warranty. You will be responsible for payments of denied claims due to lack of annual maintenance. Style Crest is not responsible for normal maintenance or service or for problems caused by improper installation, application, or operation of the equipment. We recommend semi-annual preventive maintenance inspections on the entire unit and/or accessories by a licensed or otherwise qualified dealer, service technician, or contractor.
7. Information required for a warranty claim: Consumer name, address, phone number, serial numbers, install and service date, service company, servicer name, number, and defective part number(s).
8. Style Crest approved Evaporator Coils are provided the warranty coverage consistent with the matched, Revolv outdoor appliance.
9. This warranty does not constitute a performance warranty and does not extend to the future performance of goods. It is expressly contemplated by the warranty that any part of the product may contain a defect in material or workmanship, and that any part of the product may fail during the warranty period. The buyer's sole remedy under the warranty is limited to a replacement part in the event a part fails due to a defect in material or workmanship.
10. Only Revolv coils designated as "Service Coils" may be installed in non-AHRI rated applications.

Warranty Dept. Phone: 1-800-231-4822
Warranty Dept. E-mail: warranty@stylecrest.net

All claims are filed by the dealer to the distributor, to Style Crest for processing. Claims will not be accepted by anyone other than a distributor. Warranty claims must be filed by distributor within 60 days of equipment service date.

Limited Warranty for Commercial Use

No labor coverage on units installed in commercial applications. Commercial use of equipment changes the Warranty Period as follows:

Parts are warranted for a period of one year from the original purchase date.

Compressor: If any compressor fails due to a defect in material or workmanship within the first 5 years from the date of original purchase, a replacement compressor will be provided free of charge except for the freight costs which are the owner's responsibility. Style Crest will not pay for parts purchased in the field from other than a Style Crest distributor. The owner is responsible for all labor charges. Replacement parts are warranted only for the balance of the original limited warranty period.

Heat Exchanger Parts Coverage: 10 year limited warranty.





Trusted and Proven

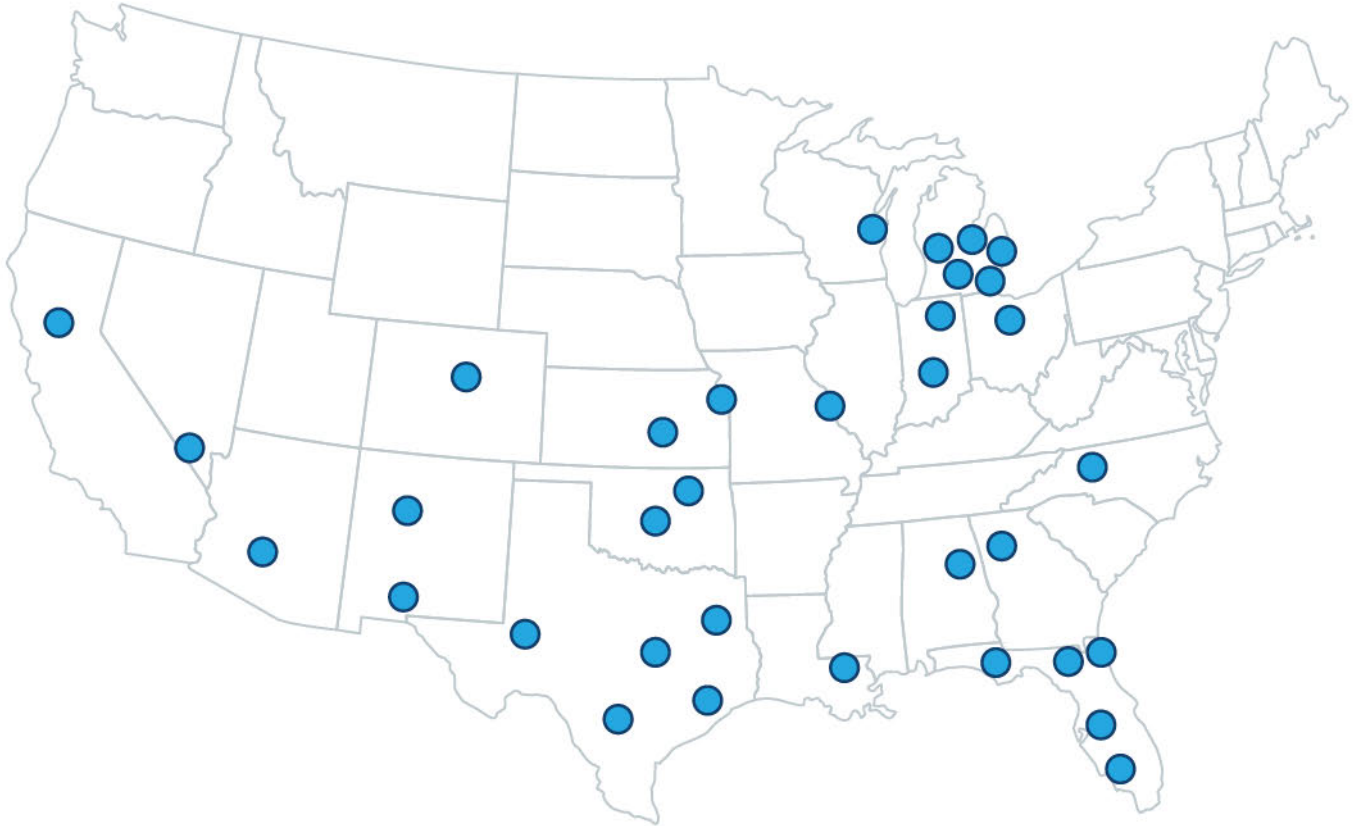
Revolv—a trusted and proven
brand focused exclusively on
manufactured housing.





is

Nationwide



ALBUQUERQUE, NM · ATLANTA, GA · CHESTERFIELD, MI · DENVER, CO · FENTON, MO · FLINT, MI
 FOND DU LAC, WI · FORT MYERS, FL · FREMONT, OH · FT. WORTH, TX · GOSHEN, IN · GRAND RAPIDS, MI
 HAMMOND, LA · HOUSTON, TX · INDIANAPOLIS, IN · JACKSONVILLE, FL · LAKE CITY, FL · LAKELAND, FL · LANSING, MI
 LAS CRUCES, NM · LAS VEGAS, NV · LENEXA, KS · ODESSA, TX · OKLAHOMA CITY, OK
 PANAMA CITY, FL · PHOENIX, AZ · ROMULUS, MI · SACRAMENTO, CA · SAN ANTONIO, TX · TALLADEGA, AL
 TAYLOR, MI · TULSA, OK · TYLER, TX · WACO, TX · WICHITA, KS · WINSTON-SALEM, NC



www.stylecrestinc.com | 800.801.8052